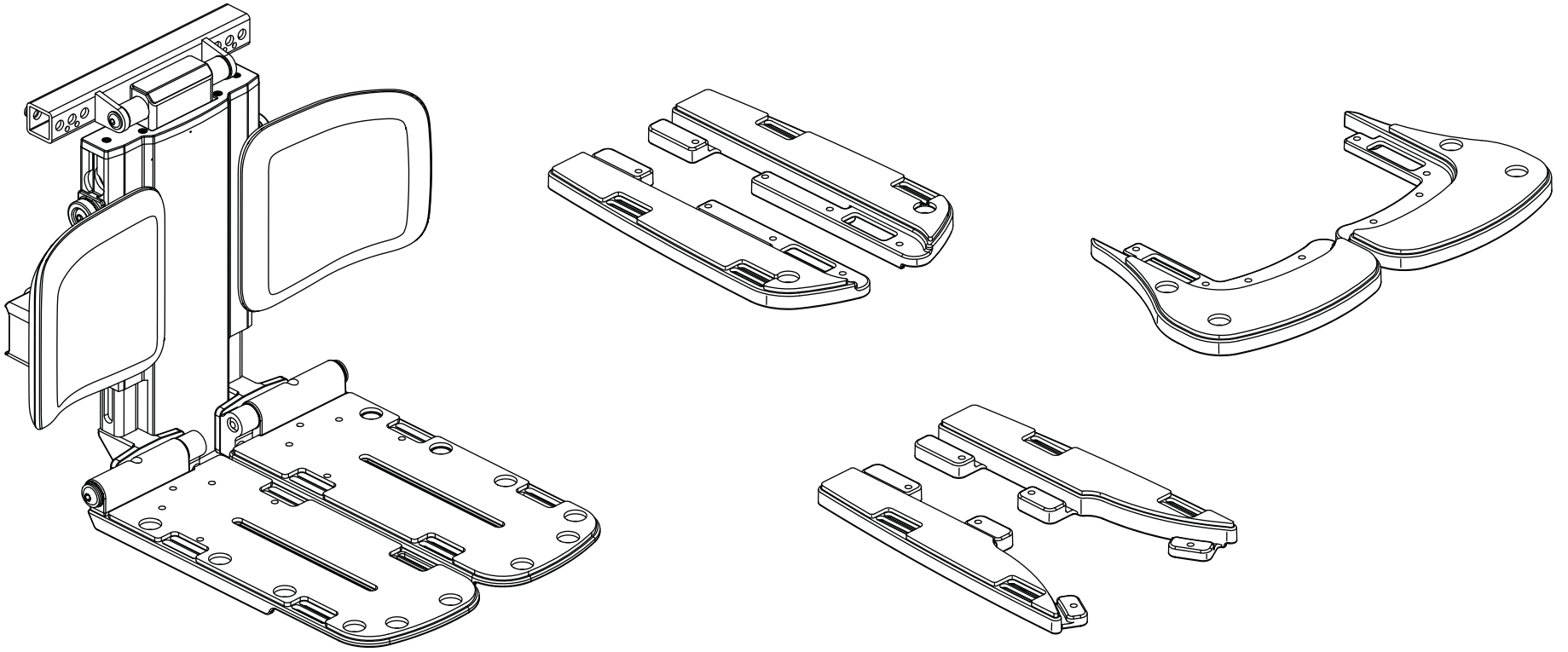


Center Mount Foot Platform Installation Instructions



Tools needed:

- Standard and metric wrench and hex keys sets

If you require any assistance with these instructions, please call **Pride Technical Service** at **1-877-800-1248**. **Canada providers**, phone **1-888-570-1113**.

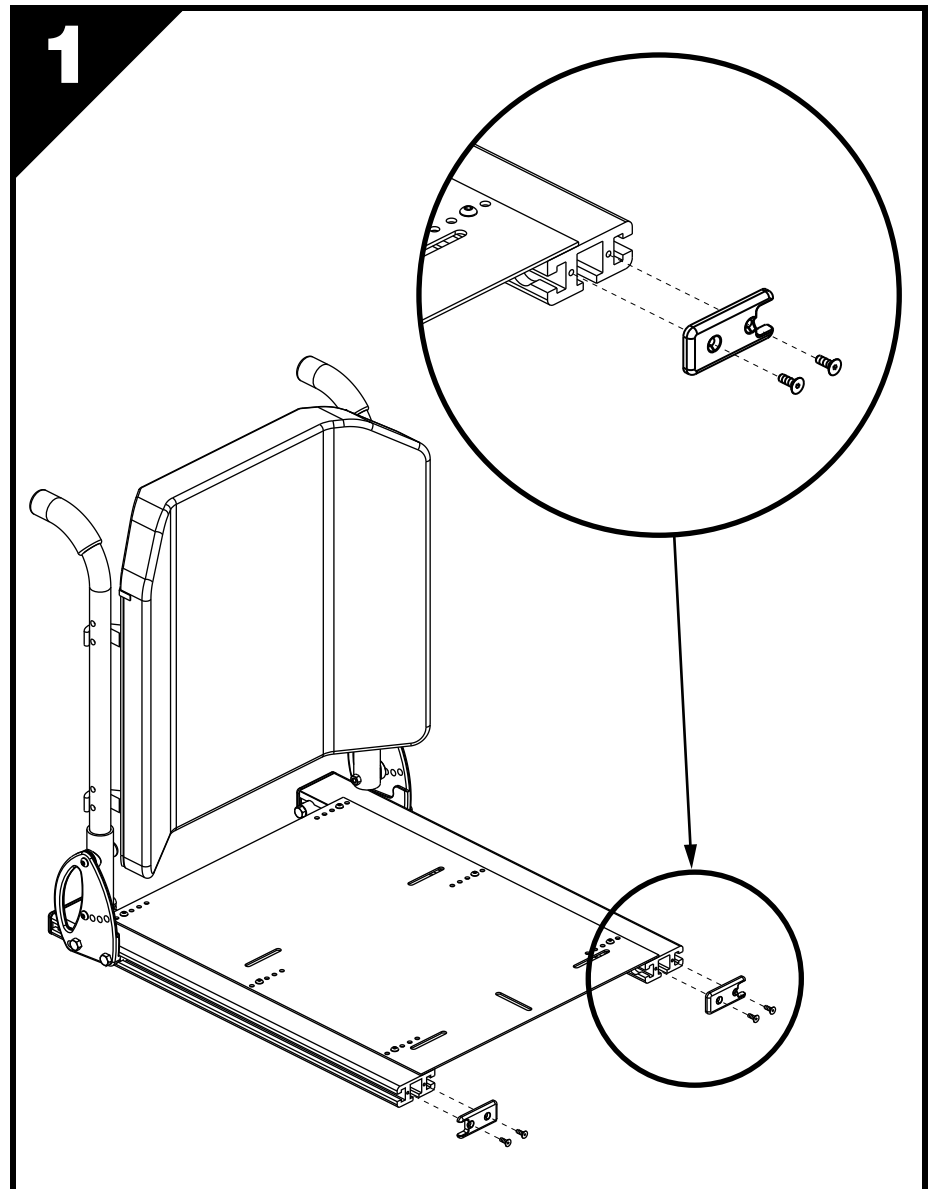
Turn off the power to the controller and ensure the power base is in drive mode before beginning this procedure. Refer to the freewheel operation label on the power base.



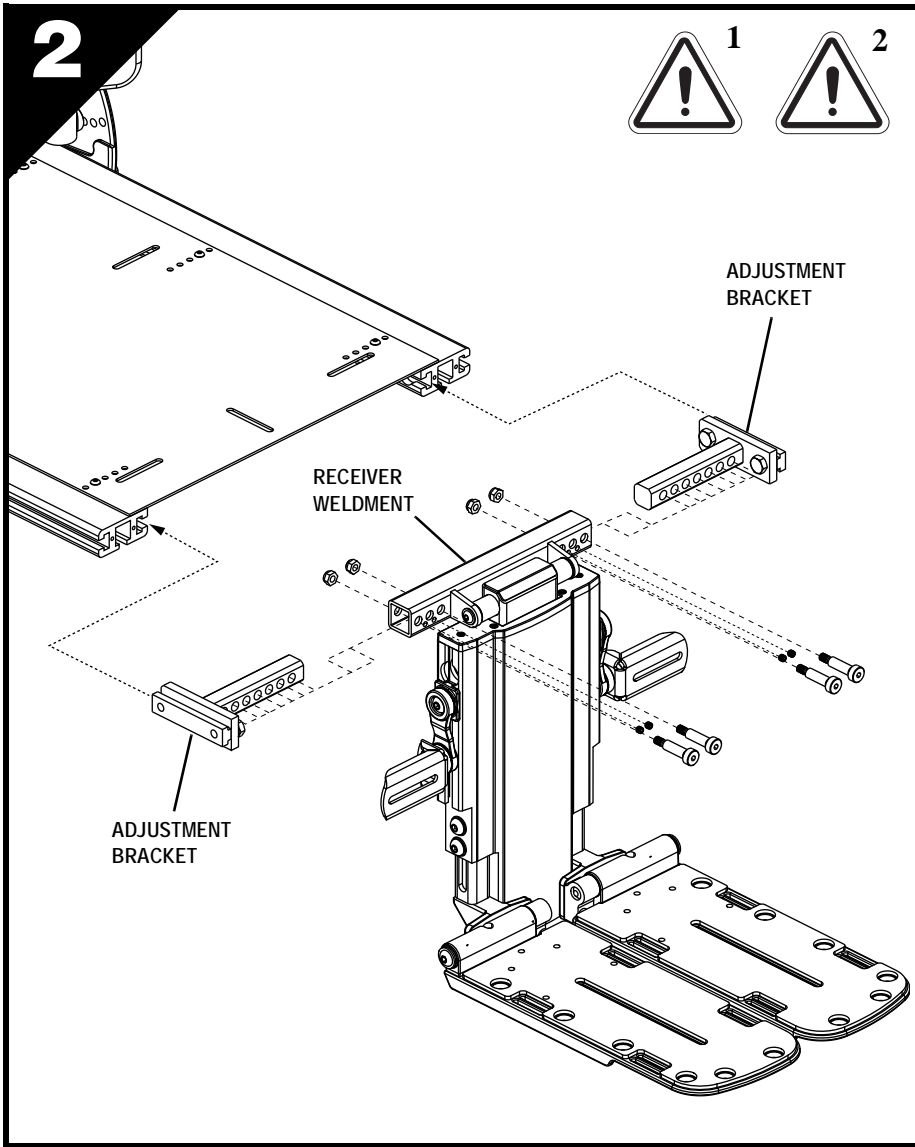
1 WARNING! The Center Mount Foot Platform should be installed by an authorized service technician only.



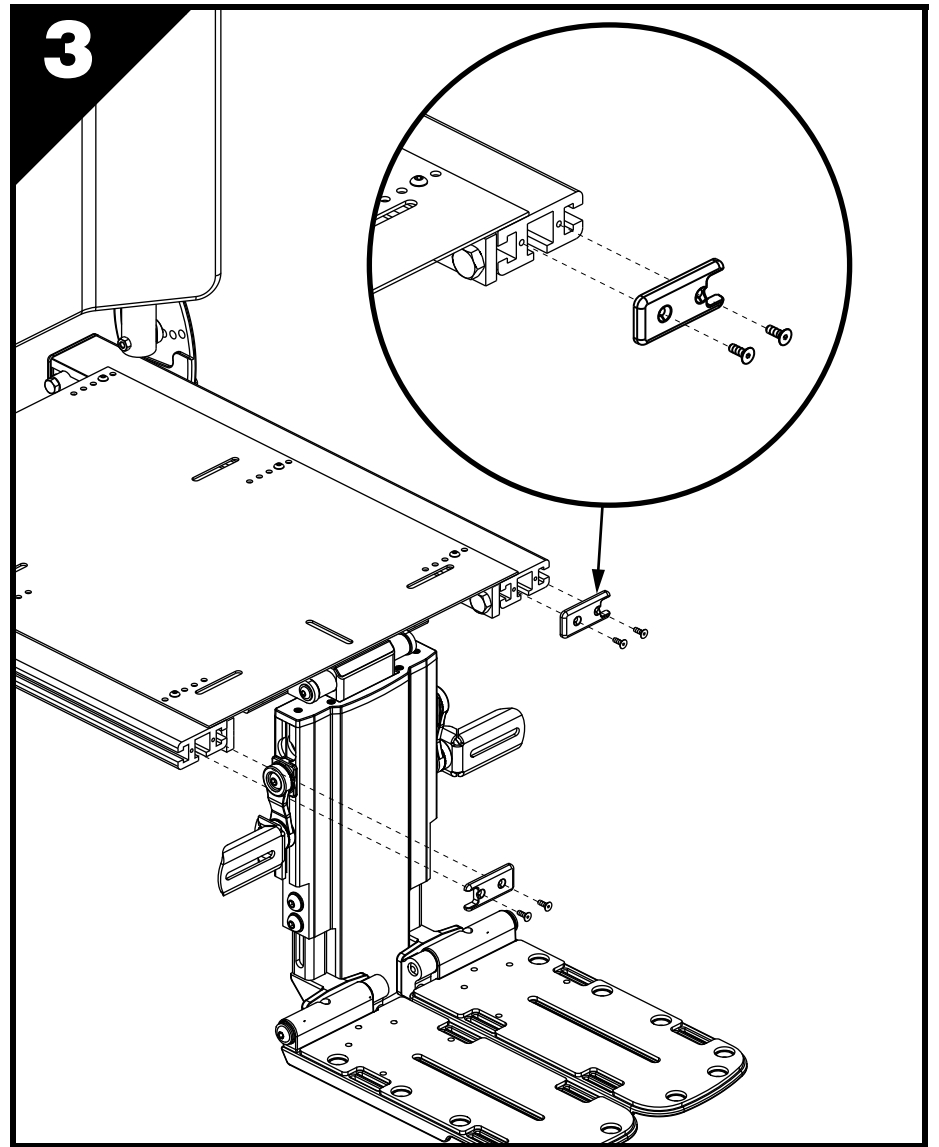
2 WARNING! Any existing front riggings must be removed prior to installing the Center Mount!



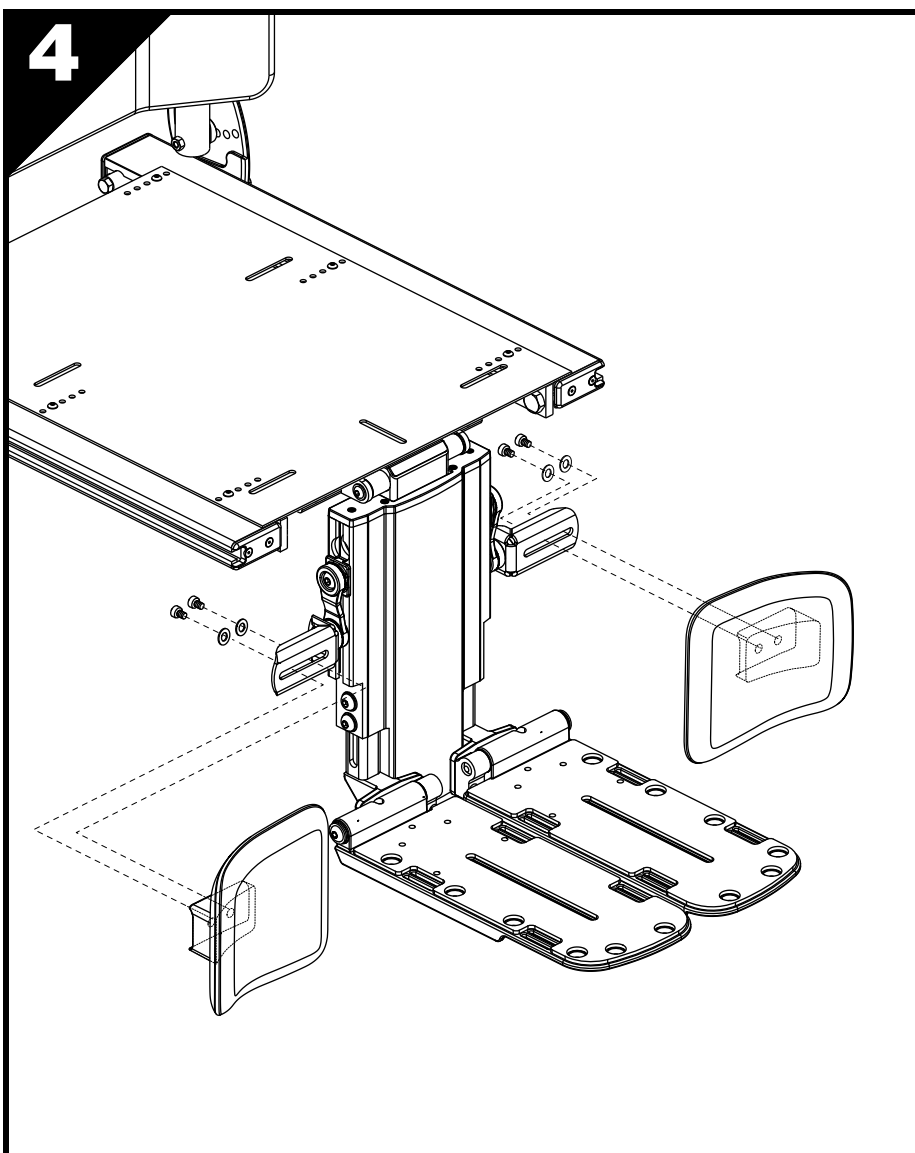
Remove and retain the end caps and securement hardware from the seat side rails.



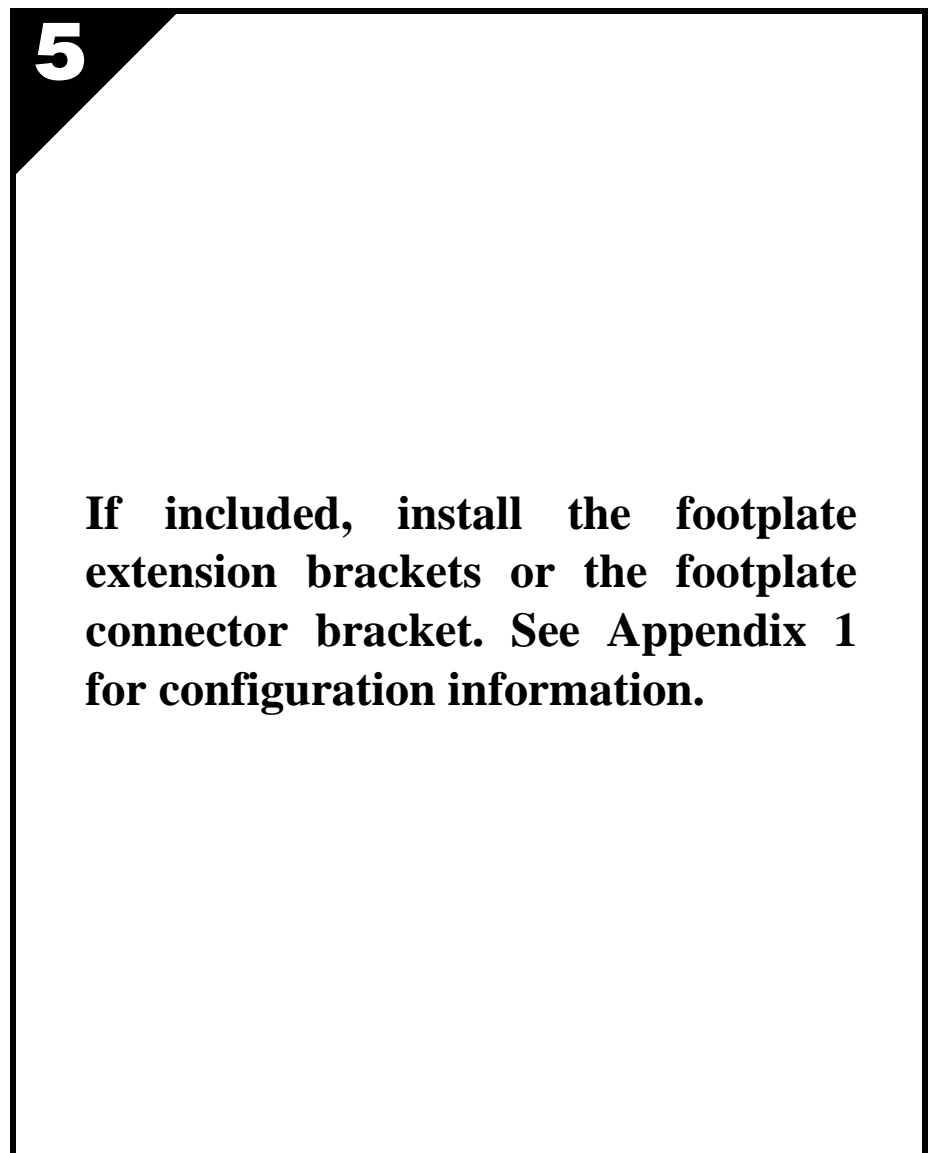
Insert the adjustment brackets into the Center Mount receiver weldment, maneuver the adjustment brackets to the desired width, then secure the adjustment brackets to the receiver weldment with the supplied securement hardware. Slide the Center Mount unit onto the seat side rails, aligning the front of the Center Mount unit so that it rests flush against the edges of the rails. Secure the Center Mount unit to the seat side rails using the supplied hardware.



Reinstall the retained end caps onto the seat base rails.



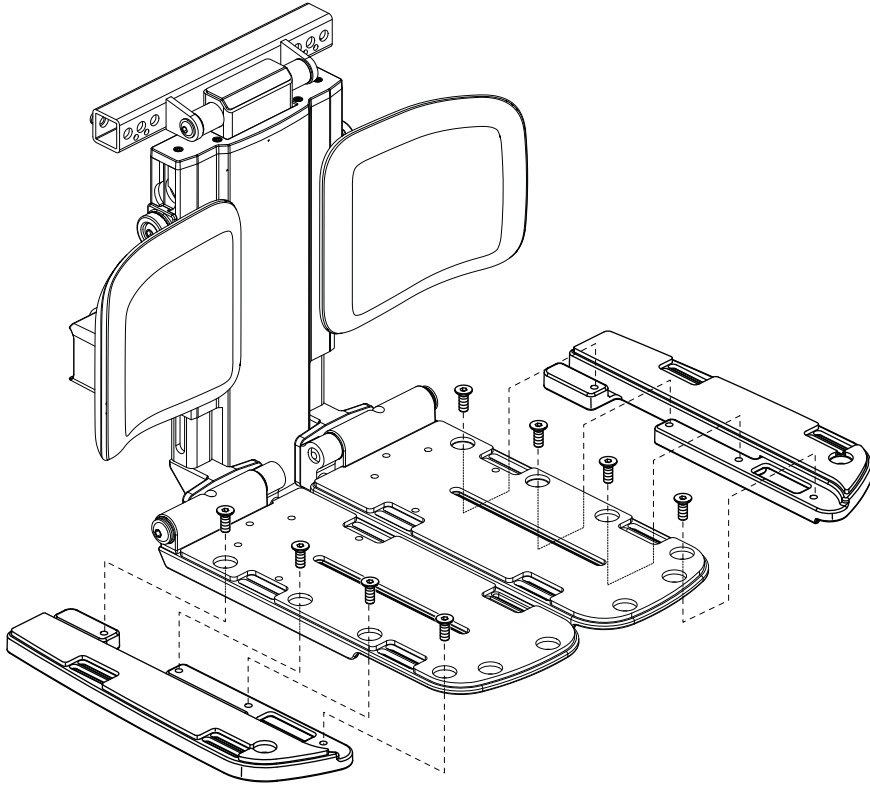
Install the calf pads and secure with the supplied hardware.



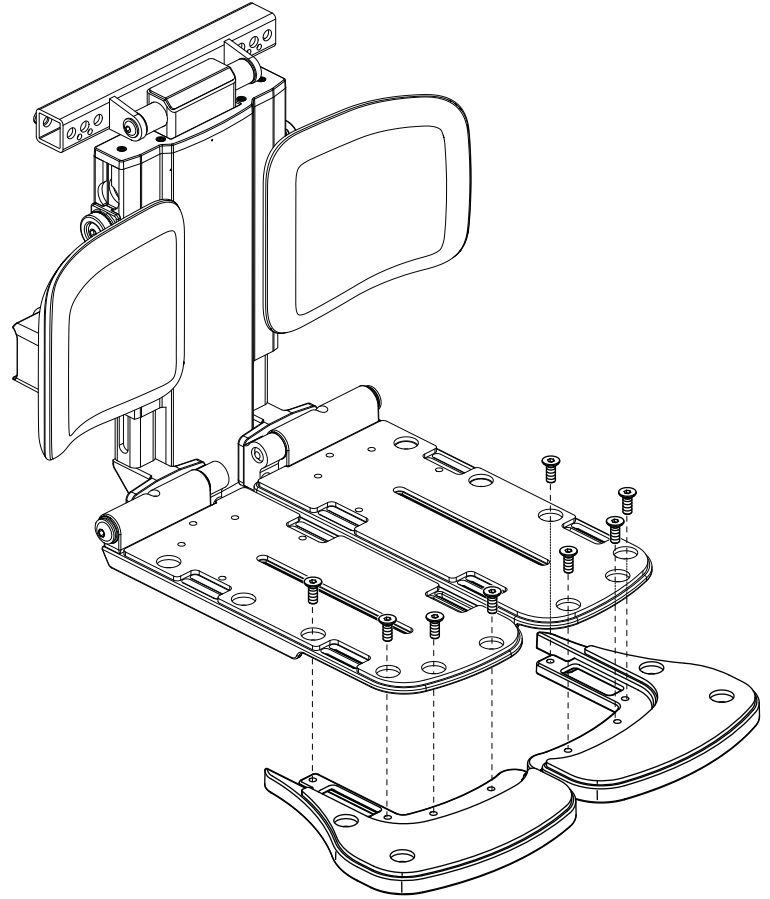
If included, install the footplate extension brackets or the footplate connector bracket. See Appendix 1 for configuration information.

Appendix 1 - Footrest Configuration

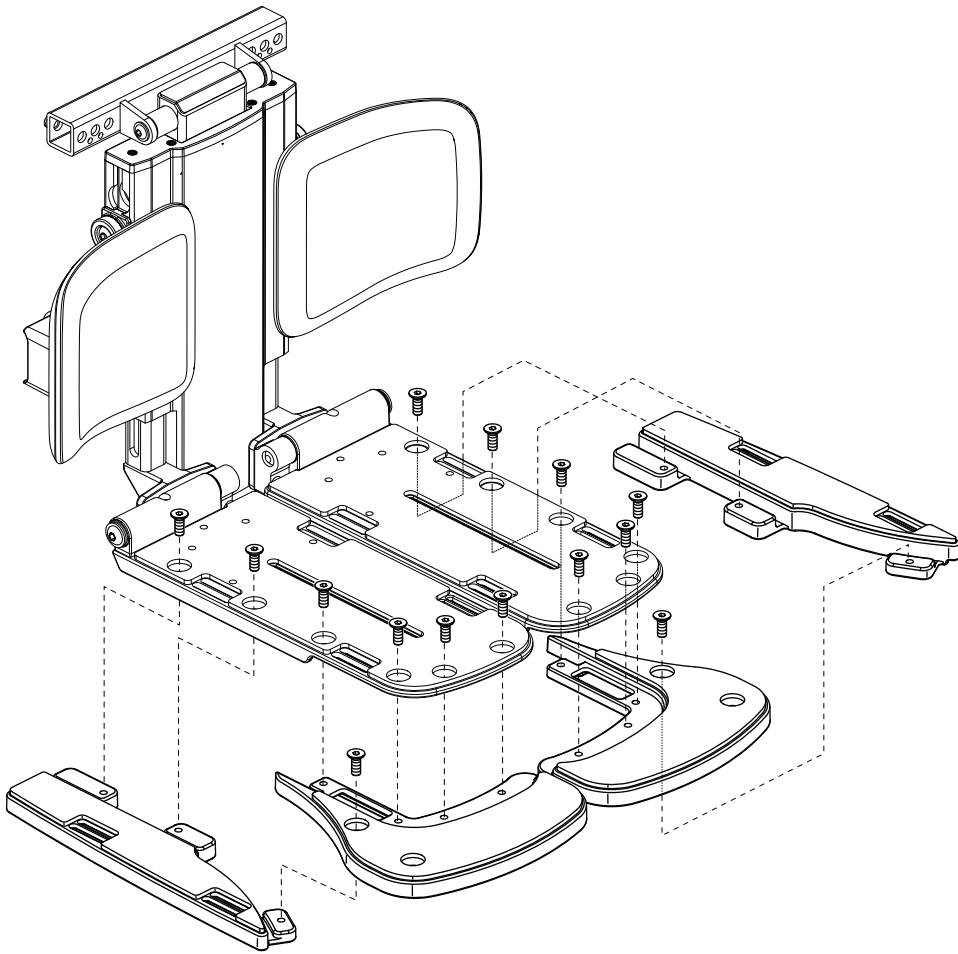
WIDTH EXTENSION KIT



BELL SHAPE LENGTH EXTENSION KIT



WIDTH AND LENGTH EXTENSION KIT



6-PIECE FOOTPLATE EXTENSION KIT

