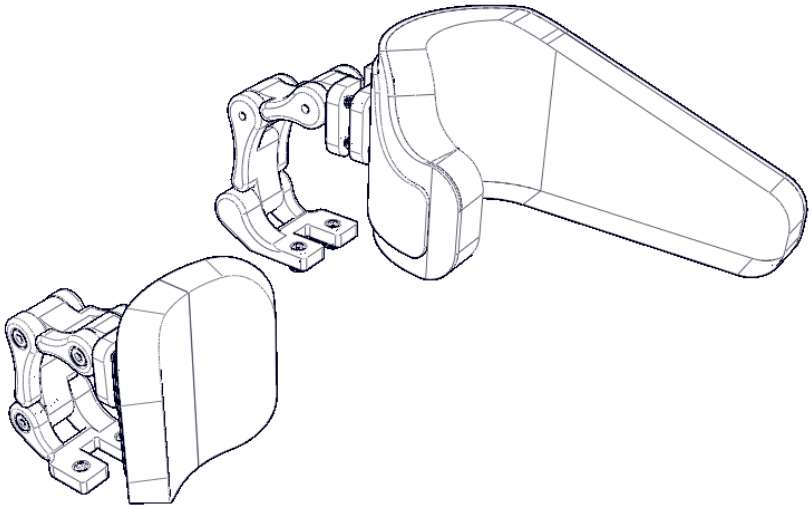


Stealth Products[®]

Upper Extremities



OWNER MANUAL



UniLink Elbow Support Hardware

UniLink Elbow Hardware Owner's Manual

Stealth Products strives for 100% customer satisfaction. Your complete satisfaction is important. Please contact us with feedback or suggested changes that will help improve the quality and usability of our products. You may reach us at:

Stealth Products, LLC
104 John Kelly Drive, Burnet, TX 78611
Phone: (512) 715-9995 Toll Free: 1(800) 965-9229
Fax: (512) 715-9954 Toll Free: 1(800) 806-1225
info@stealthproducts.com www.stealthproducts.com

General

Read and understand all instructions prior to the use of the product. Failure to adhere to instructions and warnings in this document may result in property damage, injury, or death. Product misuse due to failure of the following instructions will void the warranty.

Immediately discontinue use if any function is compromised, parts are missing, loose, or shows signs of excessive wear. Consult with your supplier for repair, adjustment, or replacement.

Important Information!

All persons responsible for fitting, adjustment, and daily use of the devices discussed in these instructions must be familiar with and understand all safety aspects of the devices mentioned. In order for our products to be used successfully, you must:

- Read and understand all instructions and warnings.
- Maintain our products according to our instructions on care and maintenance.

Devices should be installed and adjusted by a trained technician.

Supplier Reference

In the event that service should be required, please contact your dealer or a qualified service technician for assistance.

In the space below, record information about the date and place of purchase, and how to contact them:

Supplier: _____

Telephone: _____

Address: _____

Purchase Date: _____

Model: _____

The installation instructions will guide you through the options available with the product.

Instructions are written with the expressed intent of use with standard configurations. They also contain important safety and maintenance information, as well as describe possible problems that can arise during use. For further assistance, or more advanced applications, please contact your supplier (see Supplier Reference on Page B) or Stealth Products at (512) 715-9995 or toll free at (800) 965-9229. Always keep the operating instructions in a safe place so they may be referenced as necessary.

All information, pictures, illustrations, and specifications are based on the product information that was available at the time of printing. Pictures and illustrations shown in these instructions are representative examples and are not intended to be exact depictions of the various parts of the product.

CAUTION

These products are designed to be fitted, applied, and installed exclusively by a health care professional trained for these purposes. The fitting, application and installation by a non-qualified individual could result in serious injury.

Ordering Documentation

You can download additional copies of this owner's manual on the Stealth website:

www.stealthproducts.com

by searching:

UniLink Elbow Block Owner's Manual in the search bar at the top of the page.

Our products are designed, manufactured, and produced to the highest of standards. If any defect in material or workmanship is found, Stealth Products will repair or replace the product at our discretion. Any implied warranty, including the implied warranties of merchantability and fitness for a particular purpose, shall not extend beyond the duration of this warranty. Stealth Products, LLC does not warrant damage due to, but not limited to:

- Misuse, abuse, or misapplication of products.
- Modification of product without written approval from Stealth Products, LLC.
- Any alteration or lack of serial number, where applicable, will automatically void this warranty.
- Stealth Products, LLC is liable for replacement parts only.
- Stealth Products, LLC is not liable for any incurred labor costs.

No person is authorized to alter, extend, or waive the warranties of Stealth Products, LLC.

Stealth Products warrants against failure due to defective materials or workmanship:

Covers: 2 years

Hardware: 5 years

Electronics: 3 years

In Case of Product Failure

In the event of product failure covered by our warranty, please follow the procedures outlined below:

1. Call Stealth Products at +1 (512) 715-9995 or toll free at +1 (800) 965-9229.
2. Request the Returns Department or obtain a Return Authorization (RA) from the Returns Department and follow department documentation instructions.

1.0 Customer Satisfaction	i
2.0 Important Information.....	ii
3.0 Introduction	iii
4.0 Warranty	iv
5.0 Table of Contents	v
6.0 Warning Labels.....	vii
6.1 Warning Labels	vii
6.2 Limited Liability.....	vii
6.3 Testing	vii
7.0 Design and Function.....	1
7.1 Intended Use	1
7.2 Features	1
7.3 Mounting	1
8.0 Parts and Accessories	2
8.1 Parts and Accessories Breakdown	2
8.2 Hardware Parts.....	3
9.0 Installation Instructions	4
9.1 Preparations.....	4
9.2 Tools.....	4
9.3 Installation Plan	4
9.4 Required Tools/ Torque Chart	5
9.5 Installing and Adjusting the Pads.....	7
9.6 Installing the UniLink Elbow Block Hardware	8
9.7 Installing the Cushion to the Hardware	9

10.0 First Time Use..... 10

 11.1 Dealer Assistance 10

 11.2 User Testing 10

 11.3 Conditions of Use..... 10

11.0 Maintenance..... 11

 11.1 Cleaning 11

 11.2 Disinfecting 12

 11.3 Maintenance..... 12

12.0 Notes..... 13

Warning Labels

6.1

Warnings are included for the safety of the user, client, operator and property. Please read and understand what the signal words **SAFETY, NOTICE, CAUTION, WARNING** and **DANGER** mean, how they could affect the user, those around the user, and property.

DANGER

Identifies an **imminent** situation which (if not avoided) will result in **severe injury, death, and property damage**.

WARNING

Identifies a **potential** situation which (if not avoided) will result in **severe injury, death, and property damage**.

CAUTION

Identifies a **potential** situation which (if not avoided) will result in **minor to moderate injury, and property damage**.

NOTICE

Identifies important information not related to injury, but possible **property damage**.

SAFETY

Indicates steps or instructions for safe practices, reminders of safe procedures, or important safety equipment that may be necessary.

Limited Liability

6.2

Stealth Products, LLC accepts no liability for personal injury or damage to property that may arise from the failure of the user or other persons to follow the recommendations, warnings, and instructions in this manual.

Stealth Products does not hold responsibility for final integration of final assembly of product to end user. Stealth Products is not liable for user death or injury.

Testing

6.3

Initial setup and driving should be done in an open area free of obstacles until the user is fully capable of driving safely.

Intended Use

7.1

Elbow Blocks are designed to utilize direct contact support to provide posterior and lateral stability for the user's upper extremities (UE). Angle and depth adjustment allow full surface contact with the user while accommodating lower extremity postural anomalies. The hardware allows for multiple points of adjustment for a natural fit for the user. By encouraging the user's arms into a mid-line position, **Elbow Blocks** will prevent injury to the user's shoulder from hyper-extension due to gravity pulling a flaccid UE to the rear of the power chair. It also prevents the user's arms from sliding off the armrest. **Elbow Blocks** keep the user's arms properly positioned when driving the wheelchair, especially through bumpy or rough terrain. **Elbow Blocks** prevent the user from being unable to reach their drive control and/or seat control functions during tilt and they will help keep the user's arms properly positioned while tilted, reclining, or repositioning. They provide posterior support of the user's UEs to assist in maintaining UE positioning for stabilized driving and/or hand- control operation.

Features

7.2

The **UniLink Elbow Blocks** feature:

- Links provide easy adjustment for height and depth.
- Ball-mounted on pad for angle adjustment.
- Height adjustable to provide correct point of contact regardless of seat cushion height variances.
- Elbow stops provide a positioning reference point posteriorly to allow caregivers and users alike to know where the upper extremities should be positioned on the armrest.

Mounting

7.3

The **UniLink Elbow Blocks** are designed to be removable and have additional angle and depth adjustment if needed. The supports are side specific so adjustment bolts face out. The **Elbow Block** slides into the track of the TB4 arm from Quantum. The hardware has a ball mount which can work with a foam or gel pad.

Parts and Accessories Breakdown

8.1

A typical **UniLink Elbow Block** package will come with:

1. Mounting Hardware

- The mounting hardware is designed to slide into the track of the armrest.

2. **UniLink Elbow Block** Hardware

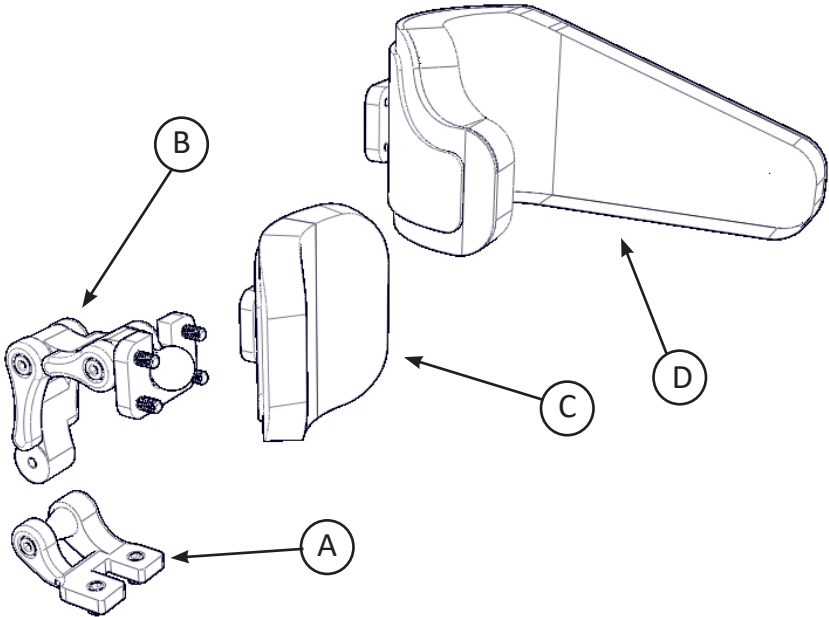
- The hardware for the Elbow Blocks are all black anodized aluminum with multiple adjustment points to achieve direct contact support.

3. Pad Support

- The pad supports can provide positioning and support with foam or gel filling material.

Hardware Parts

8.2



		Description	Qty.
A	Mounting Hardware	Fixed Track Mount	1
B	Elbow Block Hardware	UniLink Elbow Block Hardware	1
C	Elbow Pad	3x3 Elbow Pad (Gel or Foam)	1*
D	Elbow Pad	3x10 Elbow Pad (Gel or Foam)	1*

*The Elbow Block package will typically only have one of the Elbow pads in either gel or foam.

Preparations

9.1

Only a qualified service technician should install the **Elbow Block** and its accessories.

WARNING

An incorrect installation of the **Elbow Block** may cause damage to the hardware and/or injury to the user.

Tools

9.2

Use the proper tools to install and adjust the **Elbow Blocks** to the desired position for the user. Ensure all torque specifications are followed (see Page 5).

CAUTION

The use of improper tools may cause damage to the device. Not tightening to the torque specification can cause components to fail or cause discomfort to the user.

Installation Plan

9.3

Set up an installation plan before beginning the installation. This plan should take into account:

- Where the elbow blocks will be placed as well as applicable laterals and support cushions
- How the elbow blocks will be operated and how they will provide support
- Sufficient clearance of other hardware and accessories

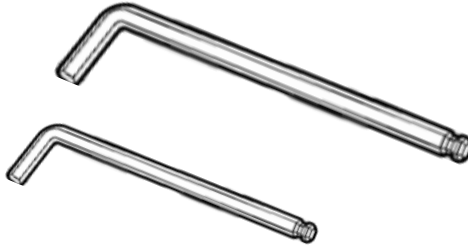
CAUTION

Any connection must always be secured with all delivered screws. Only use the screws provided in the package.

Required Tools

9.4

The tools needed to complete the installation of the **Elbow Blocks** are as follows:



Hardware	Description
4mm T-Handle	Link adjustments, Mounting set screws
5/32" T-Handle	Pad mounting ring

Tools are not provided.

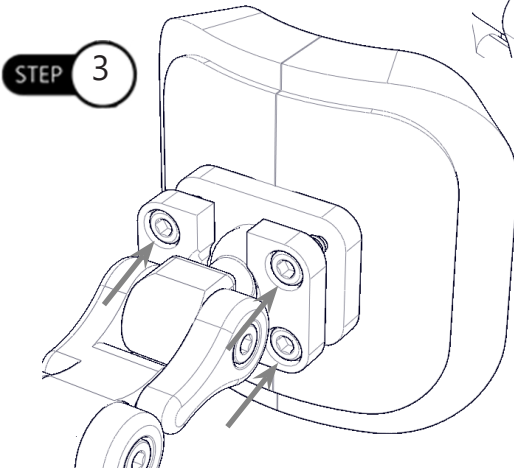
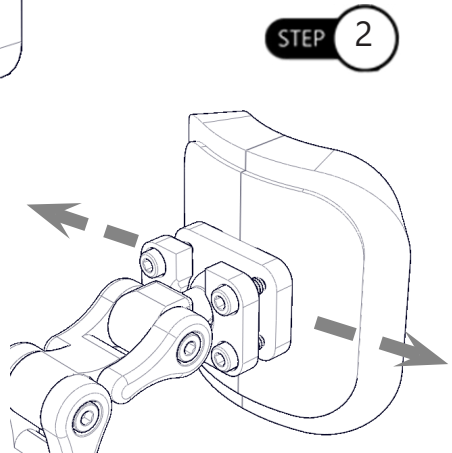
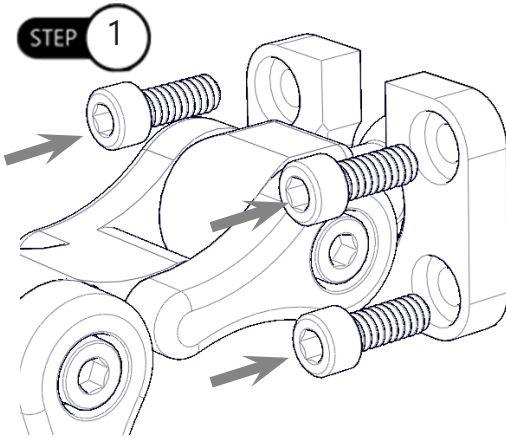
Screws	Torque Specifications
M5 x 0.8 x 20mm Socket Head Screw (SHS)	12nM
M8 x 1.25 x 12mm Socket Cup Point Set Screw (SCPSS)	17.8nM

Installation Instructions

Installing and Adjusting the Pads

9.5

- Step One:** Slide the split ring over the 17mm Ball, ensuring that the ring is facing the correct direction so that the screw cap heads rest in the recesses.
- Step Two:** Place the pad over the 17mm ball & loosely install the screws. Adjust the pad to desired position.
- Step Three:** Tighten the bolts in a crisscross pattern, keeping the gap even side-to-side & top-to-bottom. Tighten the bolts until snug, verify the pad does not move.

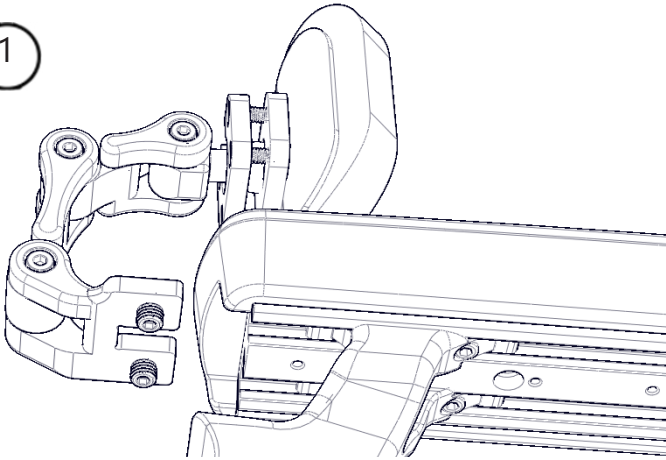


Installing the UniLink Elbow Block Hardware

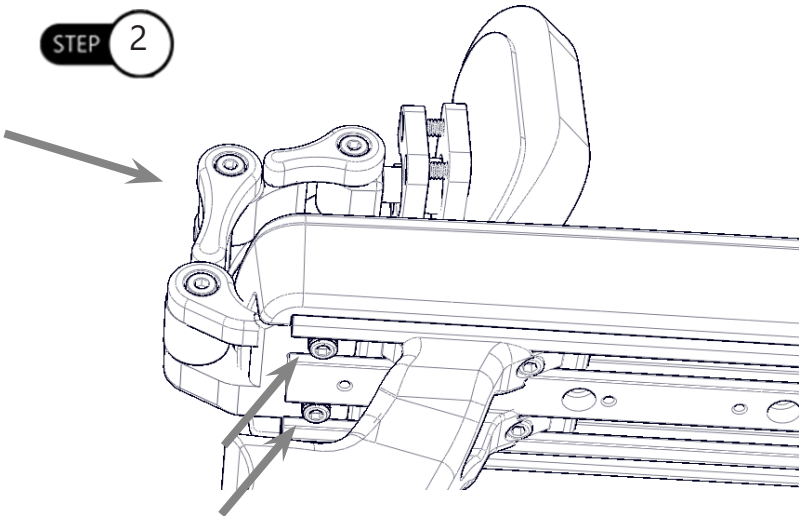
9.6

- Step One:** Ensure that the rear of the armpad track has a minimum on $\frac{3}{4}$ " of exposed track to allow the mount to insert fully.
- Step Two:** Insert the mount and tighten the the two 4mm (M8 thread) set screws to 17.8Nm of torque.

STEP 1



STEP 2



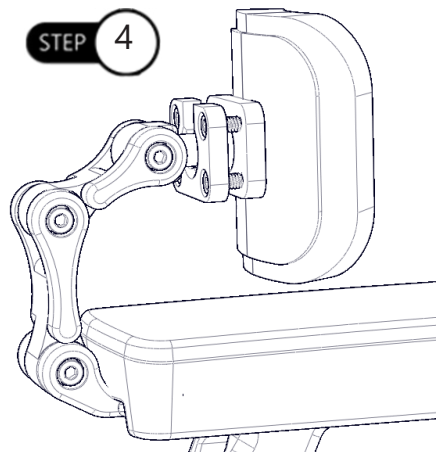
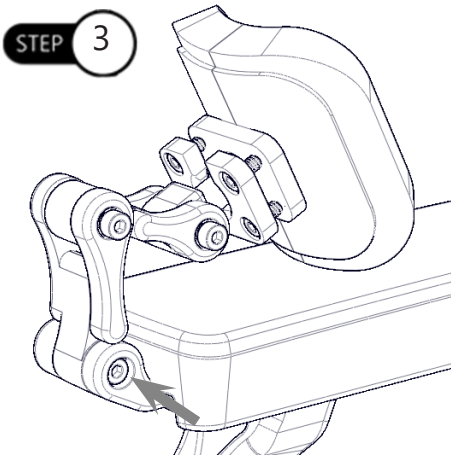
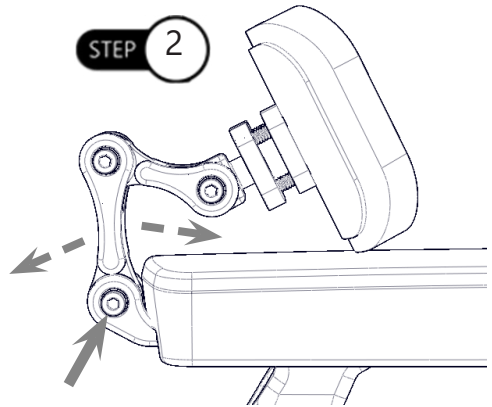
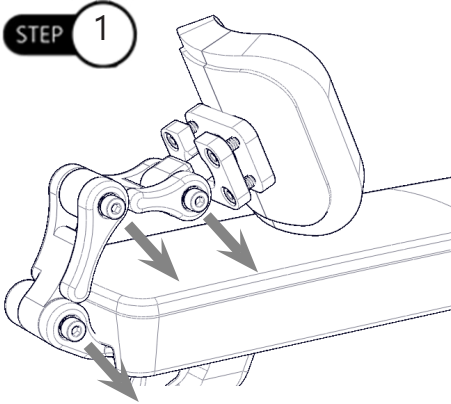
NOTICE

Ensure that the heads of the M5x0.8x20mm SHS are facing out from the chair to allow adjustability while user is seated.

Installing the Cushion to the Hardware

9.7

- Step One:** Loosen the socket head screws until each joint is moveable.
- Step Two:** Adjust to the desired position (Each link rotates up to approximately 270°).
- Step Three:** Tighten the M5x0.8x20mm SHS to 12nM of torque.
- Step Four:** Repeat on additional **UniLinks** as necessary, until the hardware is in the desired position. Add/remove 1.5" or 2" links as necessary.



Dealer Assistance

10.1

During first time use by the user, it is advised that the dealer or service technician assists and explains the configuration of user positioning to the user (the user and/or the attendant). If needed, the dealer can make final adjustments. We recommend the Dealer assists the client in filling out the Supplier Reference on Page B so that they can be contacted in case usage conditions change or parts need to be repaired or replaced.

User Testing

10.2

It is important that the customer is fully aware of the installation of the **UniLink Elbow Block**, how to use it, and how it can be adjusted to fit the client comfortably. As a dealer, proceed as follows:

- Explain and show the customer how you have executed the installation and explain the function.

Have the user test the position of the **Elbow Block**:

- Is the hardware in the proper position for the client?
- Can the user safely operate all controls with minimal effort?

If needed, make any adjustments to the positioning.

Explain possible problems to the customer and how to address them.

Conditions of Use

10.3

The **UniLink Elbow Block** is intended for use as installed by the dealer, in accordance to the installation instructions in this manual.

- The foreseen conditions of use are communicated by the dealer or service technician to the user and/or attendant during the first time use.
- If usage conditions change significantly, please contact your dealer or a qualified service technician to avoid unintended damage.

Cleaning

11.1

- Use a soft cloth to clean the hardware.
- Ensure all cleaners are approved for finished steel, aluminum, plastic, and upholstered surfaces.
- Hand or machine wash (delicate cycle) foam pad cover with mild detergent, cool water, and let dry.
- **Foam pad should not get wet.**

 **WARNING**

Do not bleach.
Do not iron.
Do not hand wash in water temperatures above 160°F (70°C).
Do not machine dry.

 **CAUTION**

Take care when removing the elbow block so as to not puncture, tear, or otherwise damage the fabric or foam.

Disinfecting

11.2

- Wipe gently with a cloth dampened with a household disinfectant.
- Allow foam to air dry thoroughly.

⚠ WARNING Do not immerse foam in water.

Maintenance

11.3

These care and guideline instructions will keep the hardware and covers in good condition for a longer period of time and prevent damage:

- Check and re-tighten all fasteners to the proper torque specifications on a regular basis. Reference the owner's manual to find proper torque specs.
- Check pad/covers for any breakdown.
- Repair or replace parts as needed.
- Gently remove dust and dirt from hardware with a damp cloth.

⚠ CAUTION

Always check all mounting hardware, making sure each fastener is properly tightened before using the support.

SAFETY Replace or repair parts as needed.

⚠ WARNING Monitor the foam for breakdown and replace as needed. Do not use the elbow block if foam is damaged or deteriorated.



Distributed by: Pride Mobility Products Co.
5096 South Service Rd. Beamsville, Ontario L0R 1B3 [https://
www.pridemobility.ca/
stealthproducts.com1](https://www.pridemobility.ca/)