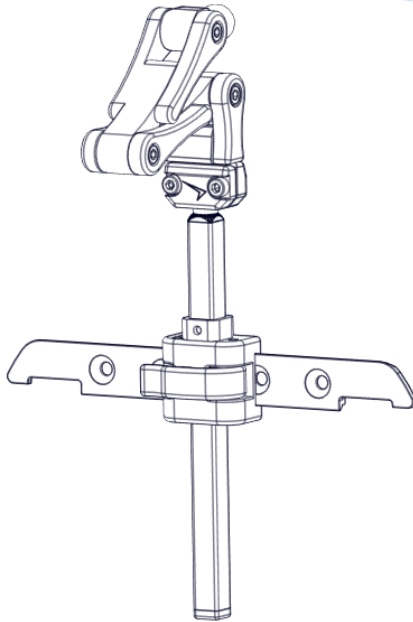


Stealth Products[®]

Head Support Hardware



OWNER'S MANUAL



UniLink Headrest Hardware

Owner's Manual for
UniLink Headrest Hardware



Stealth Products, LLC strives for 100% customer satisfaction. Your complete satisfaction is important. Please contact us with feedback or to suggest changes which may help improve the quality and usability of our products. You may reach us at:



Stealth Products, LLC
104 John Kelly Drive, Burnet, TX 78611
Phone: (512) 715-9995 Toll Free: (800) 965-9229
Fax: (512) 715-9954 Toll Free: (800) 806-1225
info@stealthproducts.com www.stealthproducts.com



MDSS GmbH
Schiffgraben 41
30175 Hannover, Germany



General

Read and understand all instructions prior to using this product. Failure to adhere to instructions and warnings in this document may result in property damage, injury, or death. Product misuse due to failure to adhere to the following instructions will void the warranty.

Immediately discontinue use if any function is compromised, if parts are missing or loose, or if any component shows signs of excessive wear. Consult with your supplier for repair, adjustment, or replacement.

Important Information!

All persons responsible for fitting, adjustment, and daily use of the devices discussed in these instructions must be familiar with and understand all safety aspects of the devices mentioned. In order for our products to be used successfully, you must:

- read and understand all instructions and warnings;
- maintain our products according to our instructions on care and maintenance; and
- ensure devices are installed and adjusted by a trained technician.

Supplier Reference

Supplier:	
Telephone:	
Address:	
Purchase Date:	
Model:	

The installation instructions will guide you through this product's options and possibilities.

Instructions are written with the expressed intent of use with standard configurations. They also contain important safety and maintenance information, as well as describe possible problems that can arise during use. For further assistance, or more advanced applications, please contact your supplier or Stealth Products at (512) 715-9995 or toll free at (800) 965-9229.

Always keep the operating instructions in a safe place so they may be referenced as necessary.

All information, pictures, illustrations, and specifications are based on the product information that was available at the time of printing. Pictures and illustrations shown in these instructions are representative examples and are not intended to be exact depictions of the various parts of the product.

CAUTION

These products are designed to be fitted, applied, and installed exclusively by a healthcare professional trained for these purposes. The fitting, application, or installation by a non-qualified individual may result in serious injury.

Ordering Documentation

You can download additional copies of this manual by visiting the Stealth website (www.stealthproducts.com) and searching "UniLink Headrest Hardware" in the search bar at the top of the page.



Our products are designed, manufactured, and produced to the highest of standards. If any defect in material or workmanship is found, Stealth Products, LLC will repair or replace the product at our discretion. Any implied warranty, including the implied warranties of merchantability and fitness for a particular purpose, shall not extend beyond the duration of this warranty. Stealth Products, LLC does not warrant damage due to, but not limited to:

- misuse, abuse, or misapplication of products, or
- modification of product without written approval from Stealth Products, LLC.

Any alteration or lack of serial number, where applicable, will automatically void this warranty.

Stealth Products, LLC is liable for replacement parts only.

No person is authorized to alter, extend, or waive the warranties of Stealth Products, LLC.

Stealth Products, LLC warrants against failure due to defective materials or workmanship for the following durations:

Covers/Soft Goods: 2 years

Hardware: 5 years

Electronics: 3 years

In Case of Product Failure

In the event of product failure covered by our warranty, please follow the procedures outlined below:

1. Call Stealth Products at (512) 715-9995 or toll free at (800) 965-9229.
2. Request a Return Authorization form (RA) and follow documentation instructions.

1.0 Customer Satisfaction	i
2.0 Important Information	ii
3.0 Introduction	iii
4.0 Warranty	iv
5.0 Table of Contents	v
6.0 Warning Labels	vii
6.1 Warning Labels	vii
6.2 Limited Liability.....	vii
6.3 Testing	vii
7.0 Design and Function	viii
7.1 Intended Use	viii
7.2 Product Feature Overview	viii
8.0 Parts and Accessories	1
8.1 UniLink Headrest Hardware Package	1
9.0 Installation Instructions	2
9.1 Preparations.....	3
9.2 Tools.....	3
9.3 Installation Plan	3
9.4 Required Tools.....	4
9.5 Installing the UniLink Headrest Hardware	5
9.6 Attaching a Head Support Attachment.....	7
9.7 Headrest Adjustment.....	8

10.0 First-Time Use	9
10.1 Dealer Assistance	9
10.2 User Testing	9
10.3 Conditions of Use.....	9
11.0 Maintenance.....	10
11.1 Maintenance.....	10
11.2 Cleaning	10
12.0 Notes.....	11

Warning Labels

6.1

Warnings are included for the safety of the user, client, operator and property. Please read and understand what the signal words **DANGER, WARNING, CAUTION, NOTICE** and **SAFETY** mean, and how they could affect the user, those around the user, and property.

DANGER

Identifies an **imminent** situation which, if not avoided, may result in **severe injury, death, and/or property damage**.

WARNING

Identifies a **potential** situation which, if not avoided, may result in **severe injury, death, and/or property damage**.

CAUTION

Identifies a **potential** situation which, if not avoided, may result in **minor to moderate injury and/or property damage**.

NOTICE

Identifies important information not related to injury, but possible **property damage**.

SAFETY

Indicates steps or instructions for safe practices, reminders of safe procedures, or important safety equipment that may be necessary.

Limited Liability

6.2

Stealth Products, LLC accepts no liability for personal injury or damage to property that may arise from the failure of the user or other persons to follow the recommendations, warnings, and instructions in this manual.

Stealth Products, LLC does not hold responsibility for final integration or final assembly of product to end user. Stealth Products, LLC is not liable for user death or injury.

Testing

6.3

Initial setup and driving should be done in an open area free of obstacles under the direct supervision of a qualified professional.

Intended Use

7.1

A critical component of a properly fitted head support system, the **UniLink** headrest hardware is intended to connect to the wheelchair's back, providing the user the necessary support and stability for his or her neck.

Designed to be compatible with all Stealth Products ball mount-based pads, the **UniLink**'s link-style hardware provides ample adjustment for Stealth headrests. Multiple planes of adjustment for posterior, anterior, and angle allow full surface contact while accommodating postural anomalies, and individual link adjustment capabilities isolate planes and angles, providing reinforcement to even the most complex head support solutions.

The **UniLink** headrest hardware increases a user's ability to successfully engage in daily activities, as well as promotes upright posture and the maintenance of a healthy head position.

CAUTION

Never use this product to maneuver a chair or anything to which it is attached. This product is intended only for its stated use. This product should never be used as a support, lift, guide, handle, or as anything other than the instrument of its original function.

CAUTION

The installation of alternate or additional parts to a wheelchair could change the functional structure of it. Thoroughly assess whether additional safety features are necessary to maintain chair stability and effectiveness.

Product Feature Overview

7.2

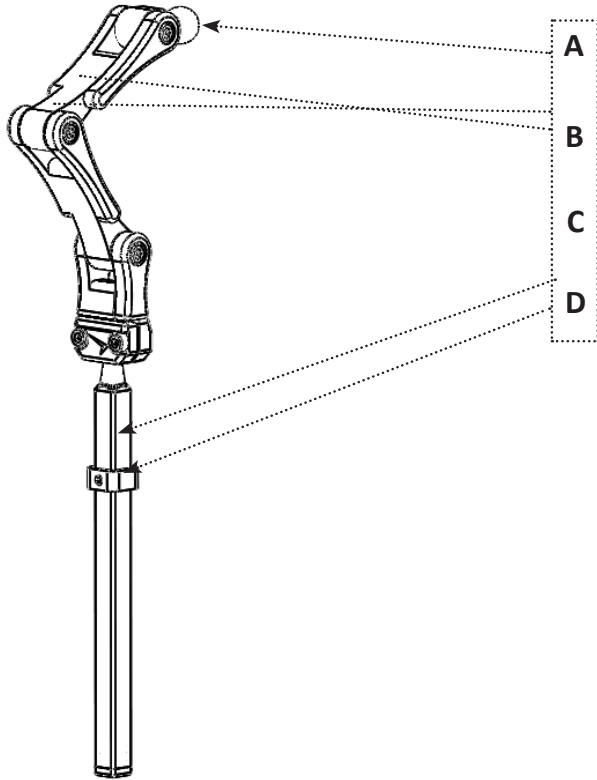
The **UniLink** headrest hardware features:

- link-style design for fast, simple height and depth adjustment;
- a ball mount for angle and rotation adjustment;
- correct point-of-contact adjustability, regardless of seating variances;
- a stop collar to act as a reference point for headrest mounting height;
- multiple pad and link sizing options;
- full surface contact; and
- an easy installation process.

UniLink Headrest Hardware Package

8.1

The following is included with the **UniLink** headrest hardware package:



- Ball Link (17mm or 1") ----- **A**
- 3" Links ----- **B**
- 6" Standard Bar ----- **C**
- Stop Collar ----- **D**

Installation Instructions

Preparations

9.1

Only a qualified service technician may install the **UniLink** headrest hardware and its accessories.

WARNING

An incorrect installation of the **UniLink** headrest hardware or its accessories may cause damage to the hardware and/or injury to the user.

Tools

9.2

Use the proper tools to install and adjust the **UniLink** headrest hardware to the desired position for the user.

CAUTION

The use of improper tools may cause damage to the device. Not tightening to the torque specification can cause components to fail or cause the user discomfort.

Installation Plan

9.3

Set up a plan before beginning the installation. This plan should take into account:

- where the **UniLink** headrest hardware will be placed, as well as applicable attachments and accessories; and
- the amount of clearance necessary for other hardware and accessories.

WARNING

Do not expose this product or its system to excessive heat, such as an open flame or sparks.

CAUTION

Any connection must always be secured with all delivered screws. Only use the screws provided in the package.

CAUTION

Do *not* place any item between the chair user and the support surface of the seating system. Doing so may reduce product effectiveness and increase risk of injury.

Required Tools

9.4

The tools needed to complete the installation are as follows:

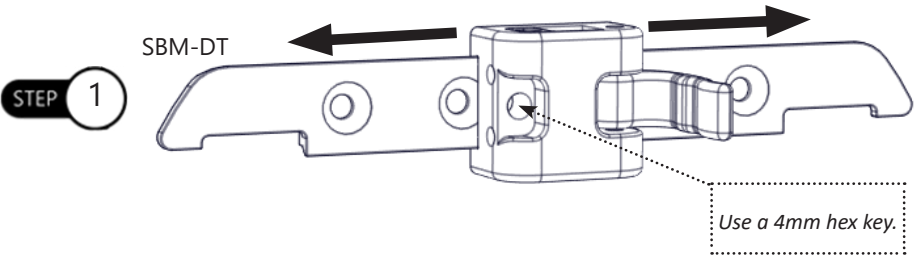


<i>Tool:</i>
4mm hex key
3mm hex key
2mm hex key

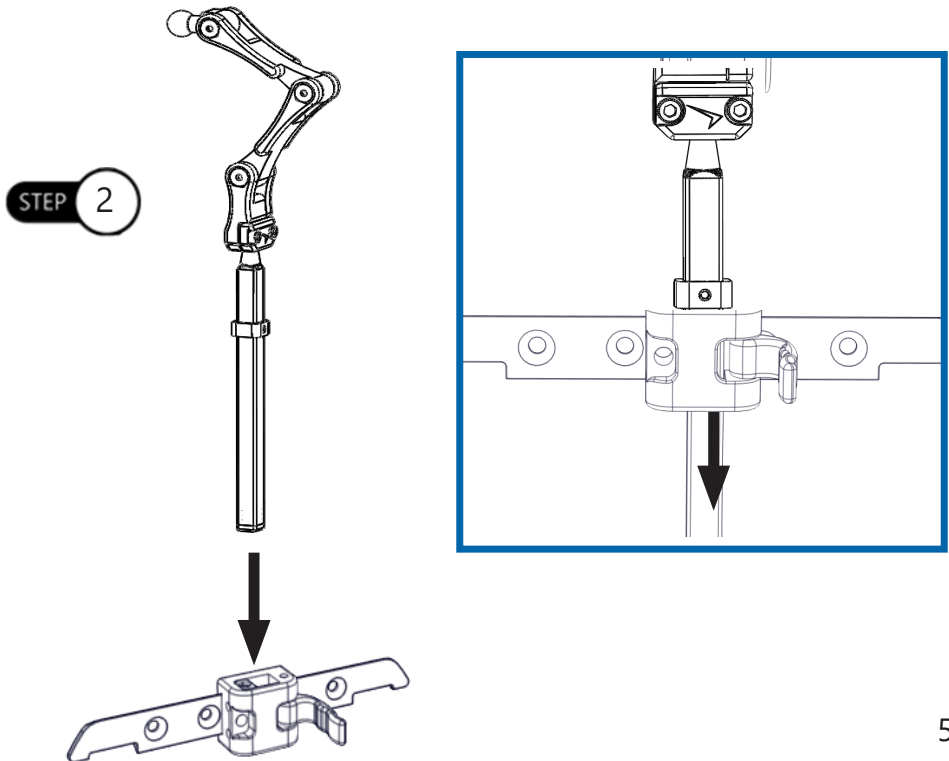
Installing Hardware- Dovetail

9.5

Step One: To adjust the location of the seatback mount on the dovetail track bar, use a 4mm hex key to loosen the front seatback mount screw. Slide the seatback mount to its desired location on the dovetail track bar. When the seatback mount is in location, use a 4mm hex key to tighten the front seatback mount screw and secure the mount in place. Unlock the front lever.

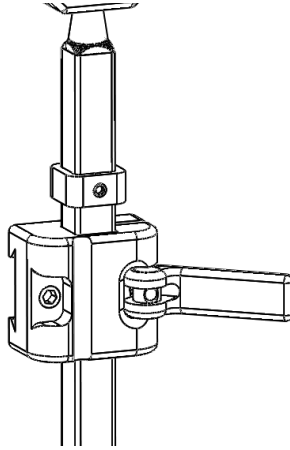


Step Two: Insert the 6" standard rod into the square hole at the top of the seatback mount. Slide the rod up or down to adjust the headrest height to preference.

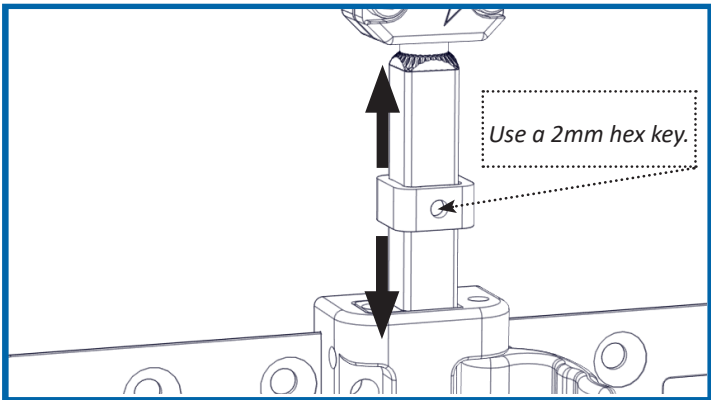


Step Three: If the headrest bar is loose you may need to remove the seat back mount and tighten the flathead screws on the back using a 3mm hex key.

STEP 3

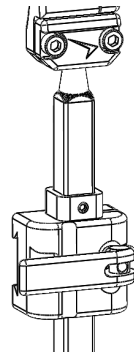


If adjustment to the HMO stop collar is necessary, use a 2mm hex key to loosen the collar's M5 x 1 x 5mm set screw. Slide the collar to the desired location, then secure the collar by tightening the screw.



Step Four: Lock the front lever of the seatback mount.

STEP 4

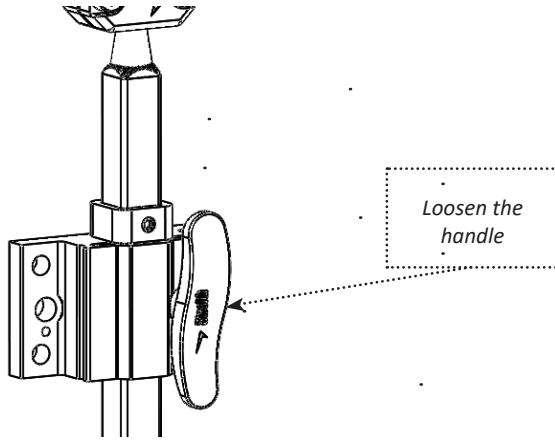


Installing Hardware- Standard SBM

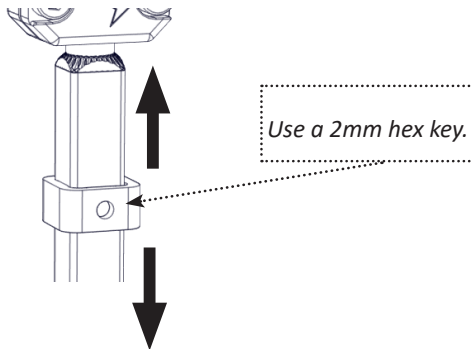
9.6

Step One: Loosen the handle of the seat back mount and insert the headrest hardware.

STEP 1
SBM300



If adjustment to the HMO stop collar is necessary, use a 2mm hex key to loosen the collar's M5 x 1 x 5mm set screw. Slide the collar to the desired location, then secure the collar by tightening the screw.



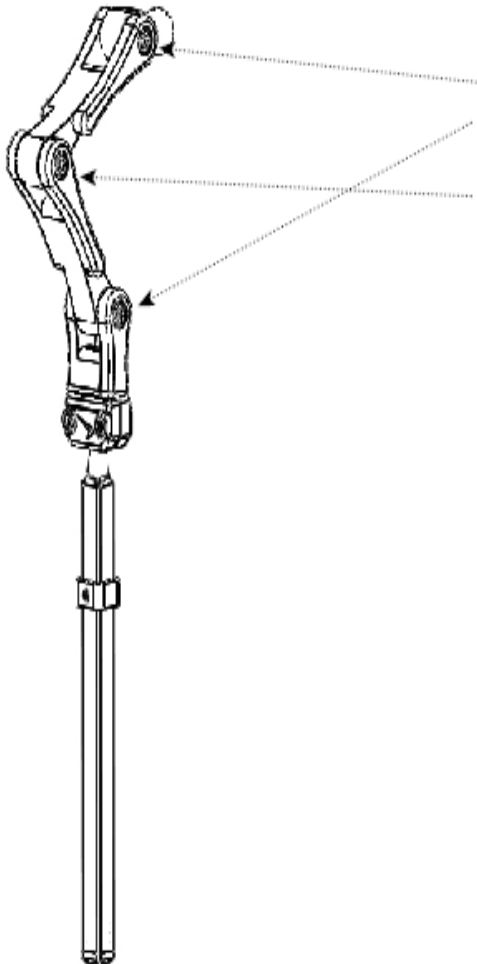
! CAUTION

Always use headrests and bases with any included inserts as a complete assembly. Covers should always be fitted over headrests when in use. Do not use a cover other than the one intended specifically for your product and its size.

Adjustments

9.7

Depth, height, and angle of the headrest pad can be adjusted by loosening any three of the M5 screws for the links. Using a M4 Hex key, loosen the socket head screw to change the orientation of the link. After the correct position has been achieved, tighten the screw until snug.



To make further adjustments to the final orientation of the headrest, loosen the three screws as shown in the image.

CAUTION

Care should be taken when loosening links.

Dealer Assistance

10.1

During first-time use by the client, it is advised that the dealer or service technician not only assemble the components, but also explain the configuration of user positioning to the customer (i.e., the user or the attendant). If needed, the dealer can make final adjustments.

User Testing

10.2

It is important that the customer is fully aware of the installation of the **UniLink** headrest hardware, how to use it, and how it can be adjusted to fit the client comfortably. A dealer or service technician should:

- explain to and show the customer how you have executed the installation; and
- explain the hardware's function.

Have the user test the position of the **UniLink** headrest hardware.

- Is the hardware in the proper position for the client?
- Can the user safely operate all wheelchair controls with minimal effort?

If needed, make any adjustments to the positioning, and explain possible problems to the customer and how to address them.

CAUTION

Avoid sharp objects. Do not modify the product. Modifying the product will void its warranty and may lead to personal injury or alter the effectiveness of the product.

Conditions of Use

10.3

The **UniLink** headrest hardware is intended for use as installed by the dealer or service technician, in accordance with the installation instructions in this manual.

- Ensure the foreseen conditions of use are communicated by the dealer or service technician to the user and/or attendant during the first-time use.
- If the usage conditions change significantly, please contact your dealer or a qualified service technician to avoid unintended damage.

Maintenance

11.1

These care and guideline instructions will keep the hardware and covers in good condition for a longer period of time and prevent damage.

- Repair or replace parts as needed.
- Gently remove dust and dirt from hardware with a soft, damp cloth.

WARNING

Smoking while using this product or its system is not recommended. Damage from smoke and/or flames is not covered by the warranty. Please consider additional safety precautions when choosing to smoke while using this product.

Cleaning

11.2

- Use a soft cloth to gently clean the hardware especially after harsh environmental exposure.
- Ensure all cleaners are approved for finished steel and aluminum.

WARNING

It is not recommended to use this product after a crash.

CAUTION

Always check all mounting hardware, making sure each fastener is properly tightened, before using the back support.

CAUTION

To ensure adherence to listed safety guidelines, use this manual in conjunction with the manual provided with your chair.

NOTICE

Improperly installing or altering the hardware in any way will void the warranty.

SAFETY

Replace or repair parts as needed.



Distributed by: Pride Mobility Products Co.
5096 South Service Rd. Beamsville, Ontario L0R 1B3 [https://
www.pridemobility.ca/
stealthproducts.com1](https://www.pridemobility.ca/stealthproducts.com1)