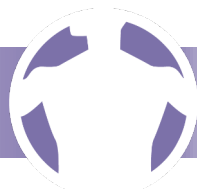
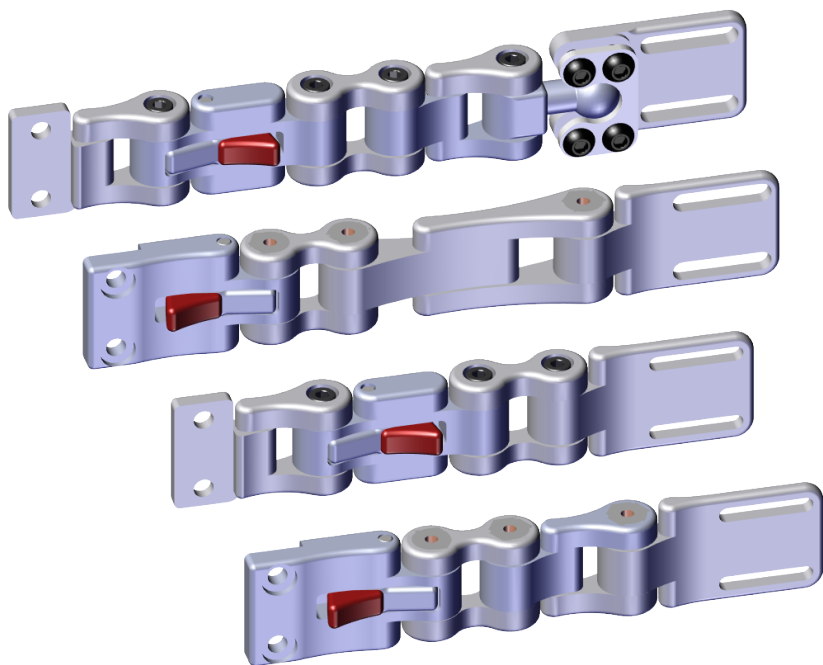


**Stealth Products**<sup>®</sup>



**Lateral & Trunk  
Support**



## UniLink™ Laterals

Owner's Manual  
and Maintenance Guide



**Stealth Products** is committed to 100% customer satisfaction. Your complete satisfaction is important to us. Please contact us with suggestions or feedback to help us improve the quality and usability of our products.

You may reach us at:



**Stealth Products, LLC**

104 John Kelly Drive  
Burnet, TX 78611

Phone: (512) 715-9995 Toll Free: (800) 965-9229

Fax: (512) 715-9954 Toll Free: (800) 806-1225

info@stealthproducts.com

www.stealthproducts.com



MDSS GmbH  
Schiffgraben 41  
30175 Hannover, Germany



## General

Read and understand all instructions prior to the use of the product. Failure to adhere to instructions and warnings in this document may result in property damage, injury, or death. Product misuse or failure to follow instructions will void the warranty.

Immediately discontinue use if any function is compromised, if parts are missing or loose, or if any component shows signs of excessive wear. Consult with your supplier for repair, adjustment, or replacement.

## Important Information!

## 1.2

All persons responsible for fitting, adjustment, and daily use of the devices discussed in these instructions must be familiar with and understand all safety aspects of the devices mentioned. In order for our products to be used successfully, you must read and understand all instructions and warnings, and maintain our products according to our instructions on care and maintenance.

### CAUTION

These products are designed to be fitted, applied, and installed exclusively by a healthcare professional trained for these purposes. The fitting, application, and installation by a non-qualified individual could result in serious injury.

## In Case of Product Failure

1.3

In the event of a product failure covered by this warranty, call **Stealth Products** at (512) 715-9995 or toll free at (800) 965-9229. Request a Return Authorization (RA) form from the Returns Department and follow the documentation instructions.

## Ordering Documentation

1.4

You can download additional copies of this manual by accessing the Stealth website (<https://stlpro.site/stealth-docs>) and searching "UniLink Lateral" in the search bar at the top of the page.

## Warranty

1.5

Our products are designed, manufactured, and produced to the highest of standards. If any defect in material or workmanship is found, **Stealth Products** will repair or replace the product at our discretion. Any implied warranty, including the implied warranties of merchantability and fitness for a particular purpose, shall not extend beyond the duration of this warranty. **Stealth Products** does not warrant damage due to, but not limited to:

- Misuse, abuse, or misapplication of product, and/or modification of product without written approval from **Stealth Products, LLC**.
- Any alteration or lack of serial number, where applicable, will automatically void all warranty.

**Stealth Products, LLC** is liable for replacement parts only. **Stealth Products, LLC** is not liable for any incurred labor costs.

**Stealth Products** warrants against failure due to defective materials or workmanship:

Covers: **18 months**

Hardware: **5 years**

Electronics: **3 years**

## Intended Use

## 1.6

The trunk area of the human body is a very important part of positioning for posture. Good posture is the result of balancing the body in relation to gravity. The long-term goals of improved posture are to provide pressure relief, minimize orthopedic consequences, normalize muscle tone, reduce active muscle requirements, and to increase the overall function of the user.

**UniLink™** trunk support solutions are highly adjustable thoracic lateral supports, used to help increase stability and balance while in a chair, serve as tactile reminders, or to correct flexible lateral trunk flexion. They provide a precise, durable means to maintain the user in a functional position, preventing further postural decay and diminishing the need for repetitive positioning of the user throughout the day.

This owner's manual will guide you through the options and possibilities with the product.

Instructions are written with the expressed intent of use with standard configurations. They also contain important safety and maintenance information, as well as describe possible problems that can arise during use. For further assistance, or for more advanced applications, please contact your supplier or **Stealth Products** at (512) 715-9995 or toll-free at (800) 965-9229.

Always keep the operating instructions in a safe place so they may be referenced as necessary.

All information, pictures, illustrations, and specifications are based on the product information that was available at the time of printing. Pictures and illustrations shown in these instructions are representative examples and are not intended to be exact depictions of the various parts of the product.

**Stealth Products** and **UniLink** are trademarks of **Stealth Products, LLC**.

### Supplier Reference

<b>Supplier:</b>	
<b>Telephone:</b>	
<b>Address:</b>	
<b>Purchase Date:</b>	
<b>Model:</b>	

<b>1.0 General Information</b> .....	i
1.1 Customer Satisfaction.....	i
1.2 Important Information .....	i
1.3 In Case Of Product Failure .....	ii
1.4 Ordering Documentation.....	ii
1.5 Warranty.....	ii
1.6 Intended Use.....	iii
<b>2.0 Table of Contents</b> .....	iv
<b>3.0 Warning Labels</b> .....	v
3.1 Warning Labels.....	v
3.2 Limited Liability.....	v
3.3 Testing.....	v
<b>4.0 Design and Function</b> .....	1
4.1 Operating Laterals.....	1
4.2 Adjusting Adductors .....	1
<b>5.0 Mounting</b> .....	2
5.1 Standard Track Mounting.....	2
5.2 Standard Cane Mounting.....	2
5.3 All-Season Mounting .....	3
5.4 Full-Surface Contact Mounting.....	3
<b>6.0 First-Time Use</b> .....	4
6.1 Dealer Assistance.....	4
6.2 User Testing .....	4
6.3 Conditions of Use.....	4
<b>7.0 Maintenance</b> .....	5
7.1 Cleaning .....	5
7.2 Maintenance.....	5

## Warning Labels

### 3.1

Warnings are included for the safety of the user, client, operator, and property. Please read and understand what the signal words **DANGER**, **WARNING**, **CAUTION**, **NOTICE**, and **SAFETY** mean, and how they could affect the user, those around the user, and property.



#### **DANGER**

Identifies an **imminent** situation which, if not avoided, may result in **severe injury, death, and property damage**.



#### **WARNING**

Identifies a **potential** situation which, if not avoided, may result in **severe injury, death, and property damage**.



#### **CAUTION**

Identifies a **potential** situation which, if not avoided, may result in **minor to moderate injury and property damage**.

#### **NOTICE**

Identifies important information not related to injury, but possible **property damage**.

#### **SAFETY**

Indicates steps or instructions for safe practices, reminders of safe procedures, or important safety equipment that may be necessary.

## Limited Liability

### 3.2

**Stealth Products, LLC** accepts no liability for personal injury or damage to property that may arise from the failure of the user or other persons to follow the recommendations, warnings, and instructions in this manual.

**Stealth Products** does not hold responsibility for final integration of final assembly of product to end user. **Stealth Products** is not liable for user death or injury.

## Testing

### 3.3

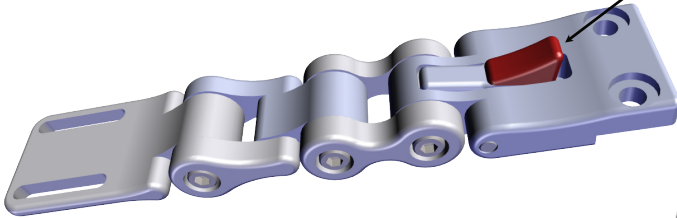
Initial setup and driving should be done in an open area free of obstacles until the user is fully capable of driving safely.

## Operating Laterals

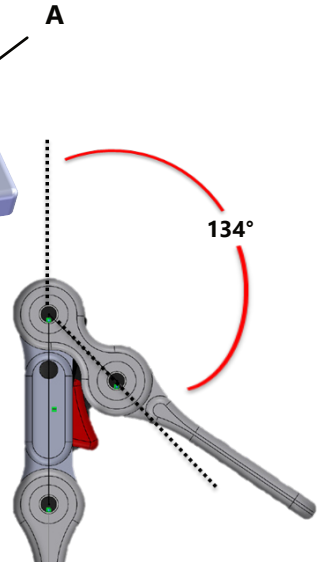
4.1

To operate the laterals:

1. Depress the quick-release button (A).



2. The lateral will swing free through 134° on either side of the initial locked position.
3. The lateral will only lock in place when returned to its initial position.



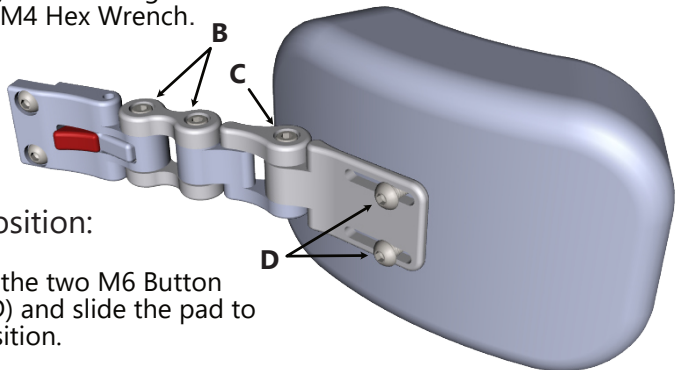
## Adjusting Adductors

4.2

Standard laterals offer three points of adjustment.

To adjust links (B) and (C):

1. Slightly loosen the M5 x .8 x 25mm Socket Head Screws at (B) and (C).
2. Set desired angles and re-tighten screws with an M4 Hex Wrench.



To adjust pad position:

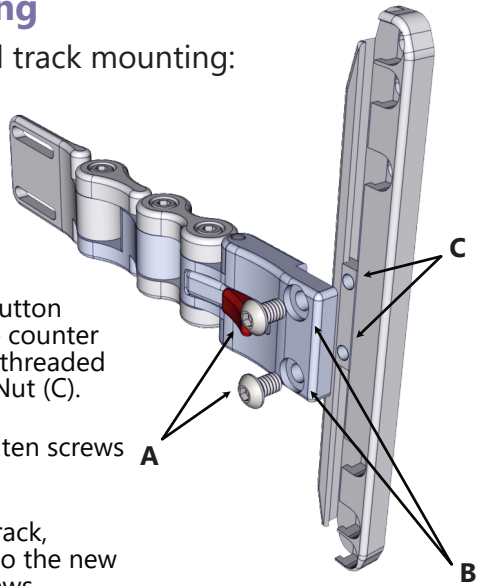
1. Slightly loosen the two M6 Button Head Screws (D) and slide the pad to the desired position.
2. Re-tighten screws. *Do not over-tighten.*

## Standard Track Mounting

5.1

To install and adjust standard track mounting:

1. Insert the M6 x 1.0 x 12mm Button Head Screws (A) through the counter bored holes (B) and into the threaded holes of the Universal Track Nut (C).
2. Set desired position and tighten screws with an M4 Hex Wrench.
3. To adjust the lateral on the track, loosen the screws and slide to the new position. Re-tighten the screws.

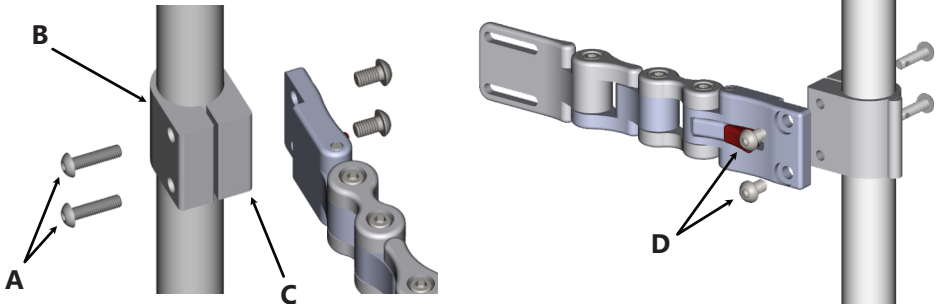


## Standard Cane Mounting

5.2

To install and adjust standard cane mounting:

1. Insert the M6 x 1.0 x 20mm Button Head Screws (A) into the male tube clamp (B) through the counter bored holes and into the female side of the tube clamp (C).



2. Attach lateral by using M6 x 1.0 x 12mm Button Head Screws (D) and mounting directly to the female side of the cane clamp. Tighten with an M4 Hex Wrench.
3. To adjust the lateral on the cane, loosen the M6 x 1.0 x 20mm Button Head Screws (A) and slide the clamp to desired position. Tighten the screws.

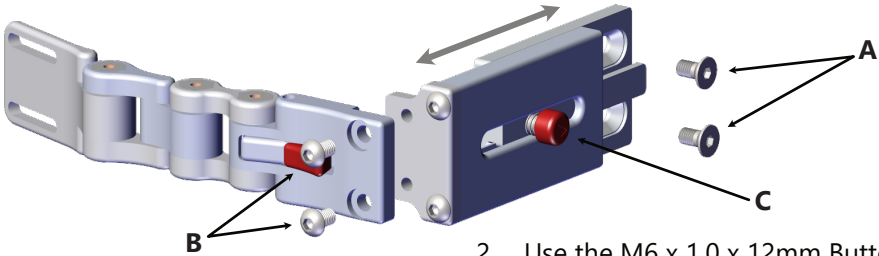


## All Season Mounting

## 5.3

To install and adjust the All Season mounts:

1. Attach the All Season bracket to the chair by using the M6 x 1.0 x 12mm Flat Head Screws (A). Tighten with an M4 Hex Wrench.



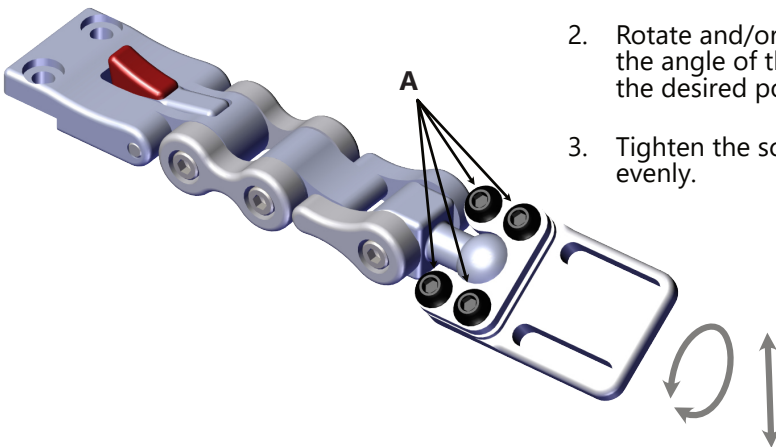
2. Use the M6 x 1.0 x 12mm Button Head Screws (B) to directly mount the lateral to the all-season bracket. Tighten with an M4 Hex Wrench.
3. Depress the red button (C) and slide the mount to make lateral adjustments in half-inch increments.

## Full-Surface Contact Mounting

## 5.4

The full-surface contact mounts are pre-assembled before they are delivered. To adjust the angle of the pad mount:

1. Loosen the M6 x 1.0 x 12mm Button Head Screws (A) with a M4 Hex Wrench.
2. Rotate and/or adjust the angle of the pad to the desired position.
3. Tighten the screws evenly.



## Dealer Assistance

### 6.1

During first-time use by the user, it is advised that the dealer or service technician not only assembles the product, but also explains the configuration of user positioning to the user (i.e., the user and or the attendant). If needed, the dealer can make final adjustments.



#### CAUTION

The laterals should only be installed and/or adjusted by a qualified healthcare professional.

## User Testing

### 6.2

It is important that the customer is fully aware of the installation of the **UniLink Laterals**, how to use them, and how they can be adjusted to fit the client comfortably. As a dealer, proceed as follows:

- Explain and show the customer how you have executed the installation and explain the function.

Have the user test the position of the **UniLink Lateral**.

- Is the hardware in the proper position for the client?
- Can all controls be operated safely and with minimal effort?

If needed, make any adjustments to the positioning.

Explain possible problems to the customer and how to address them.

## Conditions of Use

### 9.3

The **UniLink Laterals** are intended for use as installed by the dealer, in accordance to the installation instructions in this manual.

- The foreseen conditions of use are communicated by the dealer or service technician to the user and/or attendant during the first-time use.
- If the conditions of use change significantly, please contact your dealer or a qualified service technician to avoid excessive wear and tear or unintended damage.

## Cleaning

### 7.1

To wash the covers of the laterals:

- Remove the pad/cover from the laterals
- Machine wash in cold water on delicate cycle and drip dry

#### **NOTICE**

DO NOT iron. DO NOT use bleach.

## Maintenance

### 7.2

Periodically check the hardware for loose screws or worn areas.

Check the pad/cover for any breakdown.

Gently remove dust and dirt with a damp cloth.

#### **SAFETY**

Replace or repair parts as needed.

#### **NOTICE**

UniLink laterals have been designed to function with an intended user weight not to exceed 250 pounds. For special configurations beyond this range, please consult your dealer or a sales representative.



Distributed by: Pride Mobility Products Co.  
5096 South Service Rd. Beamsville, Ontario L0R 1B3  
<https://www.pridemobility.ca/>  
[stealthproducts.com1](https://stealthproducts.com1)