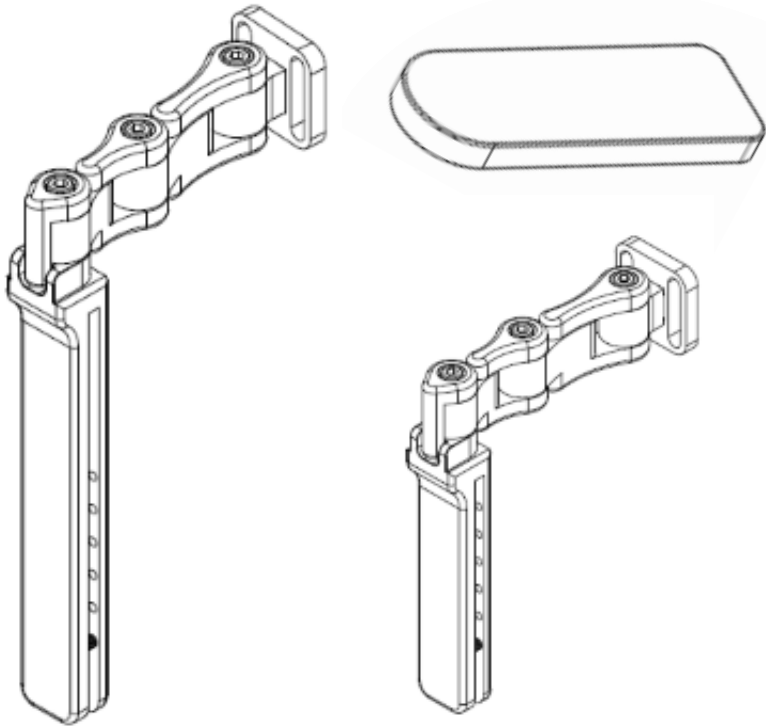


Stealth Products[®]

Pelvic Support



OWNER'S MANUAL



UniLink Thigh Guides

UniLink Thigh Guides Owner's Manual



Stealth Products strives for 100% customer satisfaction. Your complete satisfaction is important. Please contact us with feedback or to suggest changes that will help improve the quality and usability of our products. You may reach us at:



Stealth Products, LLC
104 John Kelly Drive
Burnet, TX 78611
Phone: (512) 715-9995 Toll Free: (800) 965-9229
Fax: (512) 715-9954 Toll Free: (800) 806-1225
info@stealthproducts.com
www.stealthproducts.com

MDSS GmbH
Schiffgraben 41
30175 Hannover, Germany



General

Read and understand all instructions prior to the use of the product. Failure to adhere to instructions and warnings in this document may result in property damage, injury, or death. Product misuse due to failure of the following instructions will void the warranty.

Immediately discontinue use if any function is compromised, if parts are missing or loose, or if any component shows signs of excessive wear. Consult with your supplier for repair, adjustment, or replacement.

Important Information!

All persons responsible for fitting, adjustment, and daily use of the devices discussed in these instructions must be familiar with and understand all safety aspects of the devices mentioned. In order for our products to be used successfully, you must:

- read and understand all instructions and warnings, and
- maintain our products according to our instructions on care and maintenance.

Devices should be installed and adjusted by a trained technician.

Supplier Reference

Supplier: _____

Telephone: _____

Address: _____

Purchase Date: _____

Model: _____

This owner's manual will guide you through the options and possibilities with the product.

Instructions are written with the expressed intent of use with standard configurations. They also contain important safety and maintenance information, as well as describe possible problems that can arise during use. For further assistance, or for more advanced applications, please contact your supplier or Stealth Products at (512) 715-9995 or toll free at (800) 965-9229.

Always keep the operating instructions in a safe place so they may be referenced as necessary.

All information, pictures, illustrations, and specifications are based on the product information that was available at the time of printing. Pictures and illustrations shown in these instructions are representative examples and are not intended to be exact depictions of the various parts of the product.

CAUTION

These products are designed to be fitted, applied, and installed exclusively by a healthcare professional trained for these purposes. The fitting, application and installation by a non-qualified individual could result in serious injury.

Ordering Documentation

You can download additional copies of this manual by accessing the Stealth website (www.stealthproducts.com) and searching "*UniLink Thigh Guides Owner's Manual*" in the search bar at the top of the page.

Our products are designed, manufactured, and produced to the highest of standards. If any defect in material or workmanship is found, Stealth Products will repair or replace the product at our discretion. Any implied warranty, including the implied warranties of merchantability and fitness for a particular purpose, shall not extend beyond the duration of this warranty. Stealth Products, LLC does not warrant damage due to, but not limited to:

- misuse, abuse, or misapplication of product, and/or
- modification of product without written approval from Stealth Products, LLC.

Any alteration or lack of serial number, where applicable, will automatically void this warranty.

Stealth Products, LLC is liable for replacement parts only. Stealth Products, LLC is not liable for any incurred labor costs.

No person is authorized to alter, extend, or waive the warranties of Stealth Products, LLC.

Stealth Products warrants against failure due to defective materials or workmanship:

Covers: 2 years

Hardware: 5 years

Electronics: 3 years

In Case of Product Failure

In the event of product failure covered by our warranty, please follow the procedures outlined below:

1. Call Stealth Products at (512) 715-9995 or toll free at (800) 965-9229.
2. Request a Return Authorization form (RA) from the Returns Department and follow documentation instructions.

1.0 Customer Satisfaction	i
2.0 Important Information.....	ii
3.0 Introduction	iii
4.0 Warranty	iv
5.0 Table of Contents	v
6.0 Warning Labels.....	vii
6.1 Warning Labels	vii
6.2 Limited Liability.....	vii
6.3 Testing	vii
7.0 Design and Function.....	1
7.1 Intended Use	1
7.2 Features	1
7.3 Mounting	1
8.0 Parts and Accessories	2
8.1 Parts and Accessories Breakdown	2
8.2 Hardware Parts.....	3
9.0 Installation Instructions	4
9.1 Preparations.....	4
9.2 Tools.....	4
9.3 Installation Plan	4
9.4 Required Tools/ Torque Chart	5
9.5 Installing the Mount	7
9.6 Installing the Thigh Guide Hardware	8
9.7 Installing the Cushion to the Hardware	9

10.0 Adjustments	10
10.1 Height Adjustment	10
10.2 Link Adjustment.....	11
11.0 First-Time Use	12
11.1 Dealer Assistance	12
11.2 User Testing	12
11.3 Conditions of Use.....	12
12.0 Maintenance	13
11.1 Cleaning	13
11.2 Disinfecting.....	14
11.3 Maintenance.....	14
13.0 Notes	15

Warning Labels

6.1

Warnings are included for the safety of the user, client, operator and property. Please read and understand what the signal words **DANGER, WARNING, CAUTION, NOTICE** and **SAFETY** mean, and how they could affect the user, those around the user, and property.

DANGER

Identifies an **imminent** situation which, if not avoided, may result in **severe injury, death, and property damage**.

WARNING

Identifies a **potential** situation which, if not avoided, may result in **severe injury, death, and property damage**.

CAUTION

Identifies a **potential** situation which, if not avoided, may result in **minor to moderate injury and property damage**.

NOTICE

Identifies important information not related to injury, but possible **property damage**.

SAFETY

Indicates steps or instructions for safe practices, reminders of safe procedures, or important safety equipment that may be necessary.

Limited Liability

6.2

Stealth Products, LLC accepts no liability for personal injury or damage to property that may arise from the failure of the user or other persons to follow the recommendations, warnings, and instructions in this manual.

Stealth Products does not hold responsibility for final integration of final assembly of product to end user. Stealth Products is not liable for user death or injury.

Testing

6.3

Initial setup and driving should be done in an open area free of obstacles until the user is fully capable of driving safely.

Intended Use

7.1

UniLink Thigh Guides are used to facilitate proper pelvic and thigh positioning with direct contact support. Angle and medial/lateral depth adjustment allow maintenance of full surface contact while accommodating lower extremity postural anomalies. The thigh guides can be used to help when the thighs are abducted or windswept, and may also aid in guiding the hips into the proper position. The hardware allows for multiple points of adjustment, providing a natural fit.

Features

7.2

UniLink Thigh Guides feature:

- a link system for easy height, depth, fore and aft adjustments;
- a track mounted on pad for both height and fore/aft adjustment;
- an ability to be removed for easier transfers;
- adjustability to provide correct point of contact regardless of variance in seat cushion height;
- links that provide a variety of options to meet clinical seating needs; and
- compatibility with all chairs which feature track mounting.

Mounting

7.3

UniLink Thigh Guides are designed to be removable and provide additional width, angle, and depth adjustments, if needed. A T-Nut allows this hardware to mount to all chairs featuring track mounting.

Parts and Accessories Breakdown

8.1

A typical **UniLink Thigh Guide** package will come with:

1. Mounting Hardware

- The receiver mounting hardware is made of black anodized aluminum and is equipped with a ratchet handle for quick positioning and locking of the thigh guide. It allows for easy removal of the thigh guide for transfers or cleaning.

2. UniLink Thigh Guide Hardware

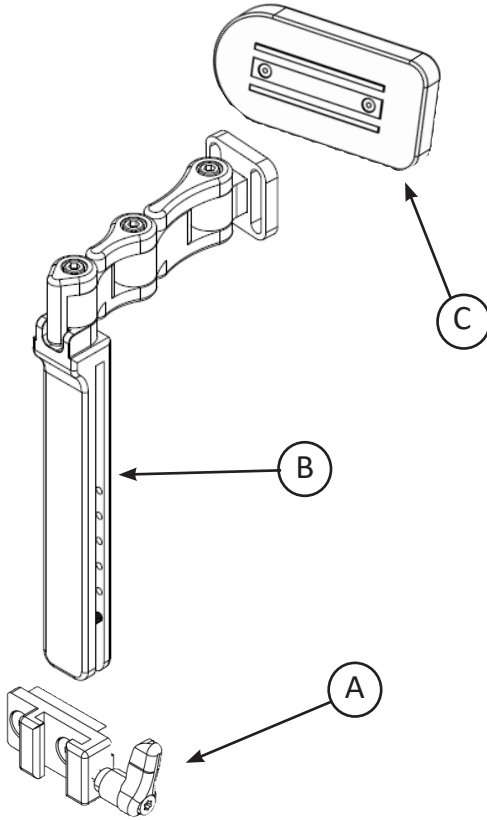
- The hardware for the thigh guides is all black anodized aluminum with multiple adjustment points to achieve direct contact support.

3. Pad Support

- The pad supports are covered with Coolcore® fabric, which offers a very high wicking feature and high evaporation to regulate the temperature of body surfaces that contact the material.

Hardware Parts

8.2



		Description	Qty.
A	Mounting Hardware	Track Nut Receiver	1
B	Thigh Guide Hardware	UniLink Thigh Guide Hardware	1
C	Thigh Guide Pad	Pad Support	1

Preparations

9.1

Only a qualified service technician should install the thigh guide and its accessories.

WARNING

Installing the thigh guides incorrectly may cause damage to the hardware and/or injury to the user.

Tools

9.2

Use the proper tools to install and adjust the thigh guides to the desired position for the user. Ensure all torque specifications are followed.

CAUTION

The use of improper tools may cause damage to the device. Not tightening to the torque specification can cause components to fail or cause discomfort to the user.

Installation Plan

9.3

Set up an installation plan before beginning the installation. This plan should take into account:

- where the thigh guides will be placed as well as applicable laterals and support cushions;
- how the thigh guides will be operated and how they will provide support; and
- the amount of clearance necessary for other hardware and accessories.

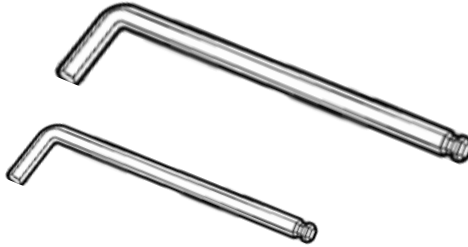
CAUTION

Any connection must always be secured with all delivered screws. Only use the screws provided in the package.

Required Tools

9.4

The tools needed to complete the installation of the thigh guides are as follows:



Hardware	Description
2mm Hex Key	Set screw stop guide for thigh guide
4mm Hex Key	Link adjustments, Mounting t-nut, install thigh pad, installing track on pad*

* These screws will come tightened and installed on the hardware.

(Tools are not provided.)

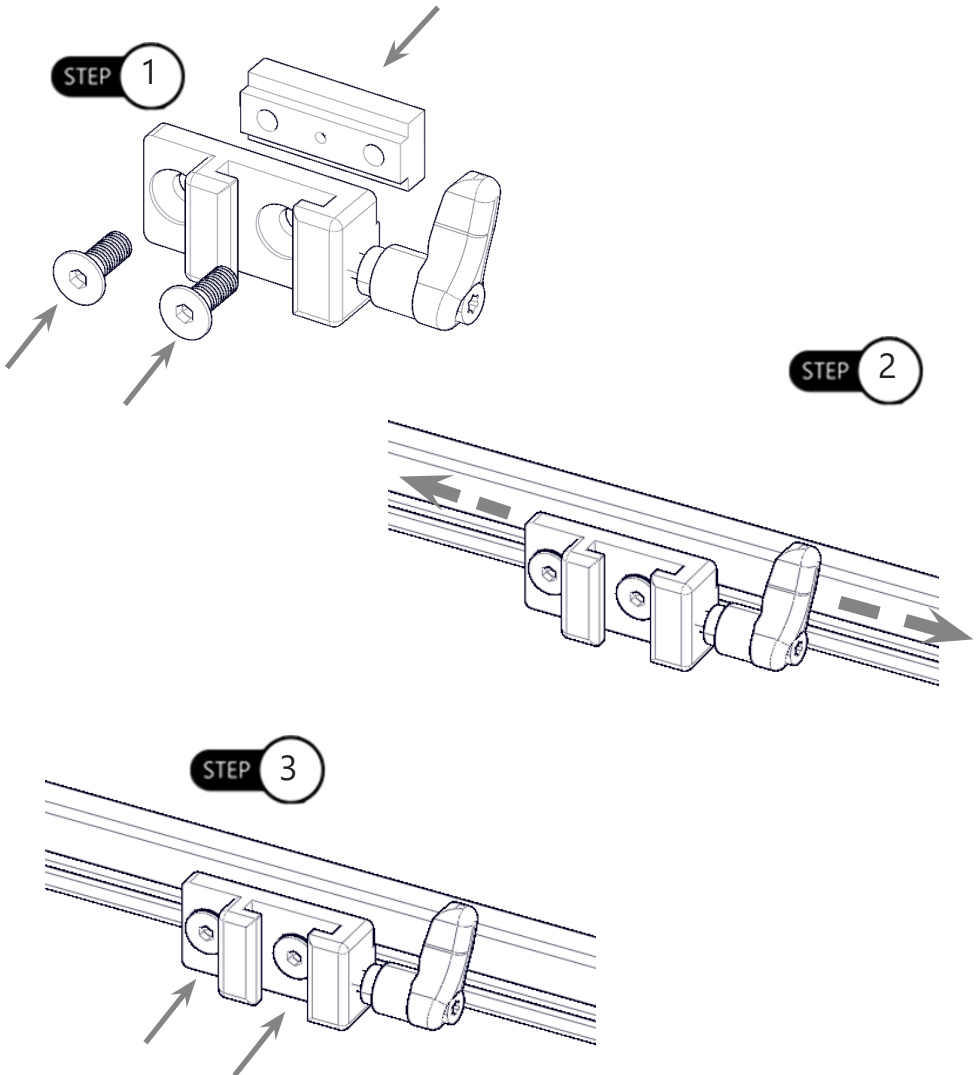
Screws	Torque Specifications
M5 x 0.8 x 10mm SHS	12nM
M5 x 0.8 x 20mm SHS	12nM
M6 x 1 x16mm FHS	12nM

Installation Instructions

Installing the Mount

9.5

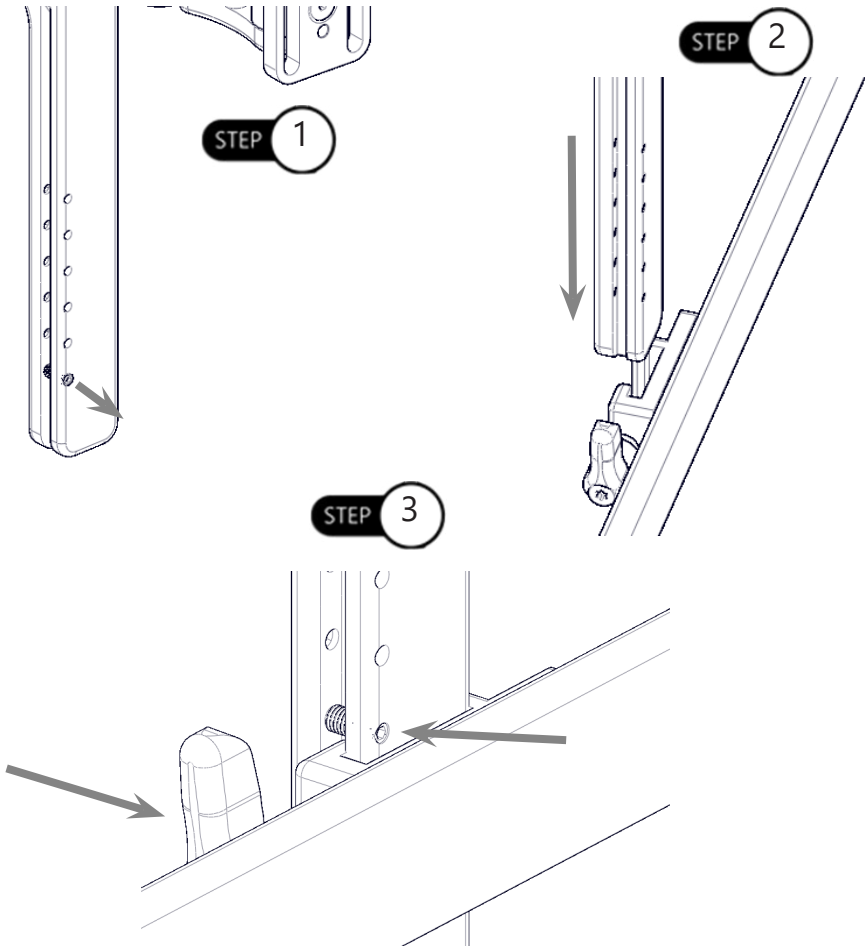
- Step One:** Using a 4mm hex key begin to secure the T-Nut using the M6 x 1 x 16mm Flat Head Screws. To tighten, leave the T-Nut loose.
- Step Two:** The horizontal alignment of the mount can be adjusted anywhere along the track.
- Step Three:** Using a 4mm hex key tighten the M6 x 1 x 16mm FHS to 12nM of torque to secure the mount in place along the chair track.



Installing the UniLink Thigh Guide Hardware

9.6

- Step One:** Using a 2mm hex key remove the set screw from the vertical track holes.
- Step Two:** Slide thigh guide hardware into the mounting receiver.
- Step Three:** Reinsert the set screw into the horizontal track hole above the mounting receiver. Tighten the ratchet handle to secure the thigh guide hardware in place.



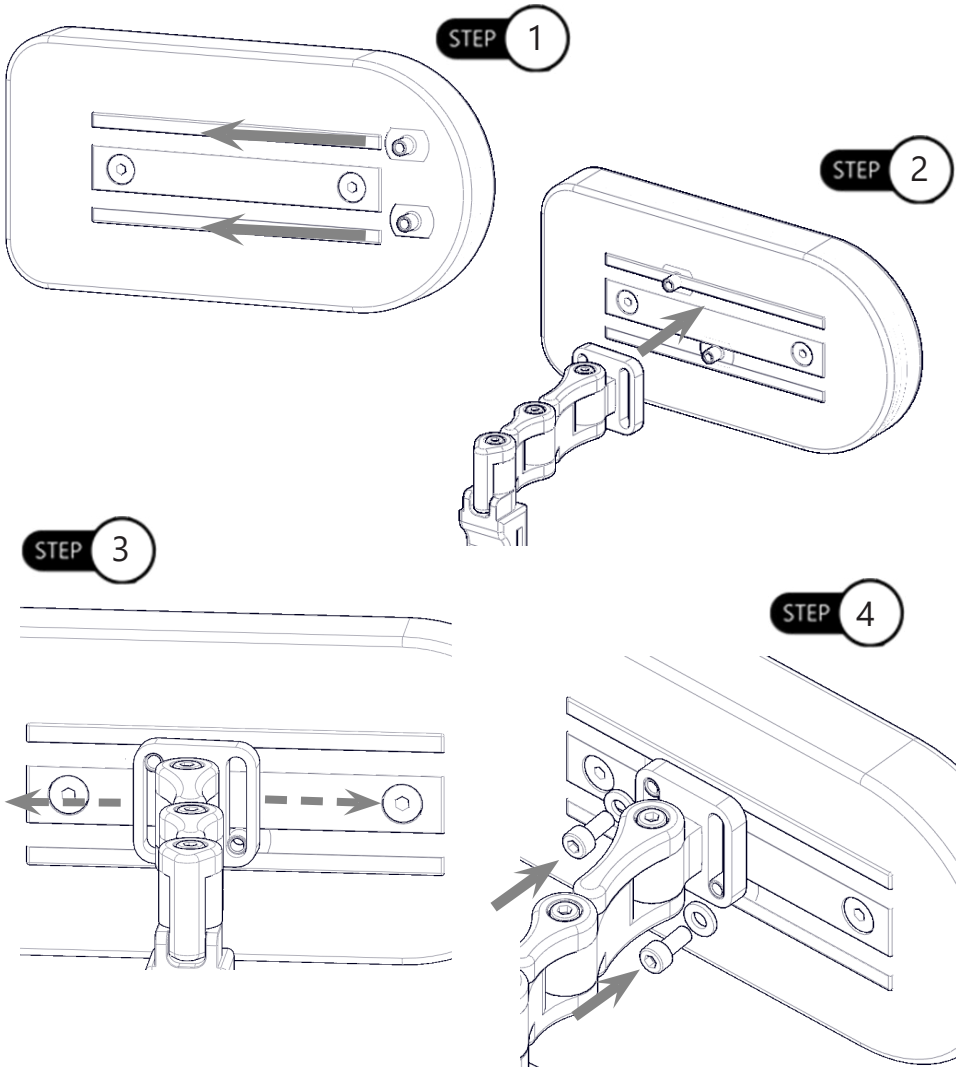
CAUTION

To avoid impact damage, ensure the ratchet handle is oriented parallel with the rest of the hardware.

Installing the Cushion to the Hardware

9.7

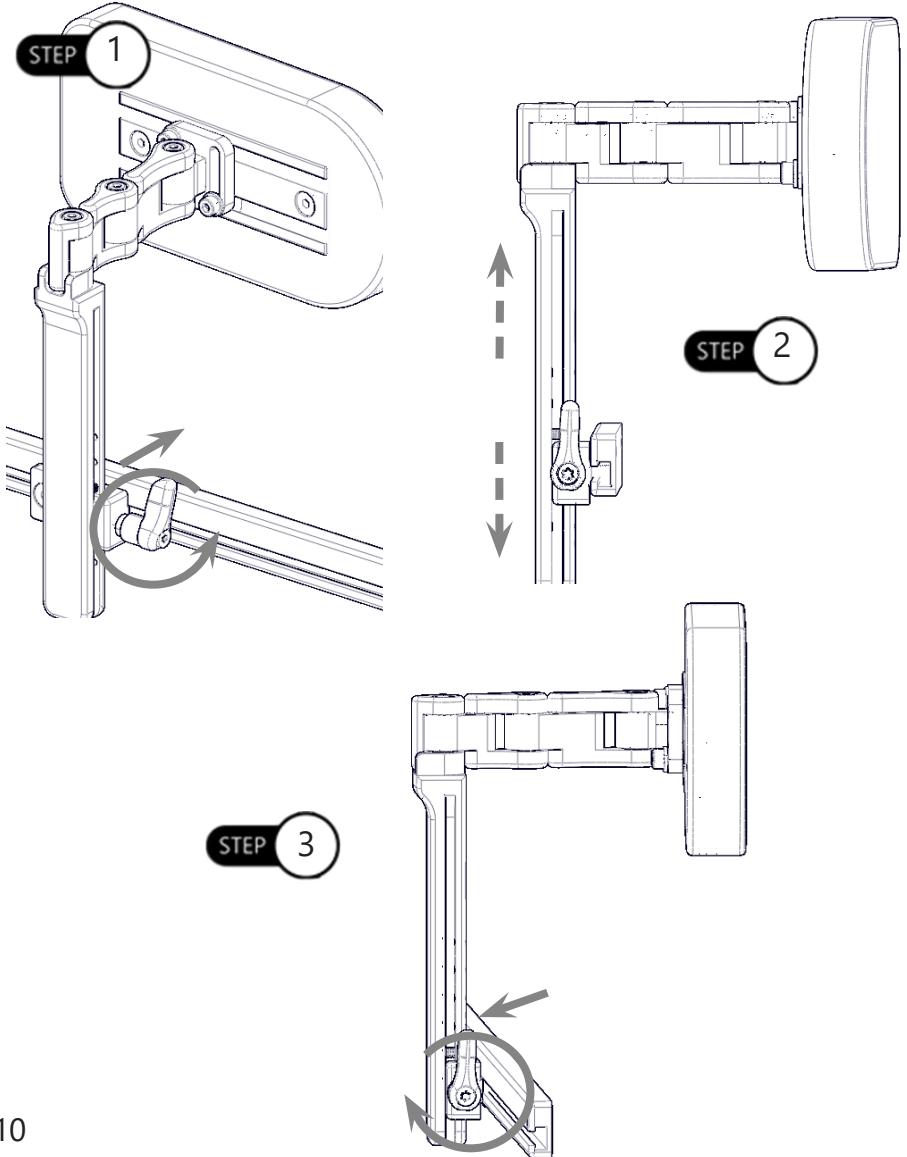
- Step One:** Slide the two M5 Slab Bases into the track mounted on the back of the cushion.
- Step Two:** Line up the M5 Slab Bases with the hardware and bring them together.
- Step Three:** Position the cushion horizontally and adjust angle of the cushion as needed.
- Step Four:** After optimal positioning for the user, use the M5 x 0.8 x 10mm socket head screws, each with a M5 flat washer, to secure the cushion in place. Tighten the screws using a 4mm hex key to 12nM of torque.



Height Adjustment

10.1

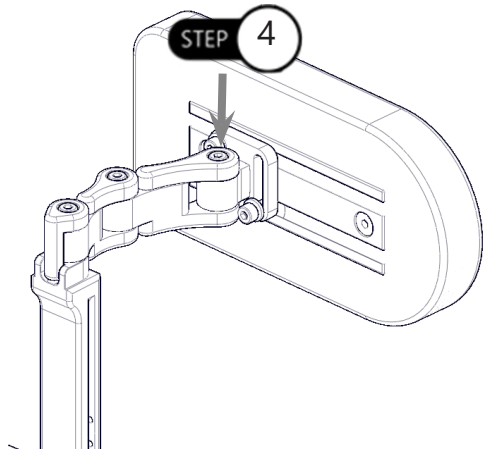
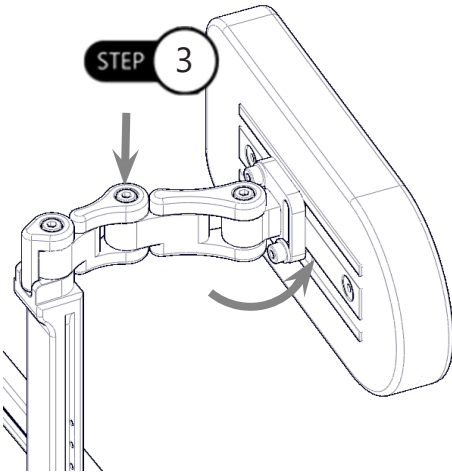
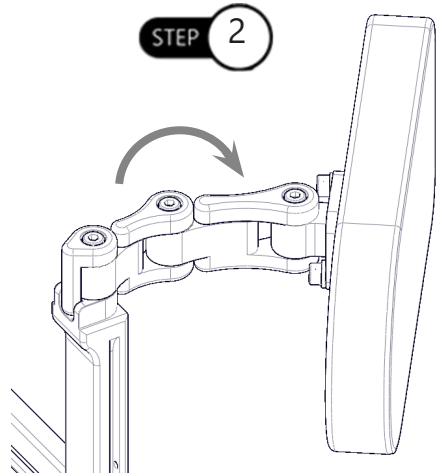
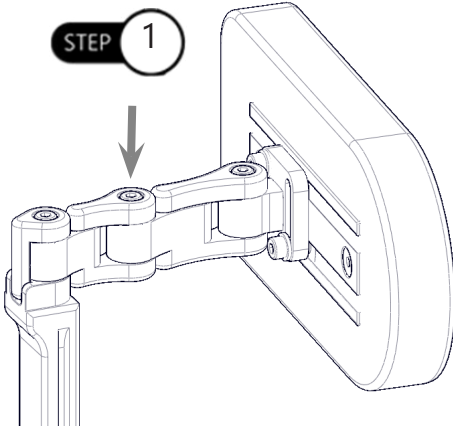
- Step One:** Using a 2mm hex key remove the set screw from the vertical track holes, loosen the ratchet handle.
- Step Two:** Position the thigh guide hardware to the optimal height for the user.
- Step Three:** Reinsert the set screw into the horizontal track hole above the mounting receiver. Tighten the ratchet handle to secure the thigh guide hardware in place.



Link Adjustment

10.2

- Step One:** Using a 4mm hex key loosen the M5 x 0.8 x 20mm socket head screw on the link that needs to be adjusted.
- Step Two:** Move the link into the correct position.
- Step Three:** Tighten the socket head screw using a 4mm hex wrench to 12nM of torque to secure in place.
- Step Four:** Repeat and adjust additional links as needed.



Dealer Assistance

11.1

During first-time use by the user, it is advised that the dealer or service technician not only assembles the product, but also explains the configuration of user positioning to the user (i.e., the user and/or the attendant). If needed, the dealer can make final adjustments.

User Testing

11.2

It is important that the customer is fully aware of the installation of the **UniLink Thigh Guide**, how to use it, and how it can be adjusted to fit the client comfortably. As a dealer, proceed as follows:

- Explain and show the customer how you have executed the installation and explain the function.

Have the user test the position of the thigh guide:

- Is the hardware in the proper position for the client?
- Can all controls be operated safely and with minimal effort?

If needed, make any adjustments to the positioning.

Explain possible problems to the customer and how to address them.

Conditions of Use

11.3

The **UniLink Thigh Guide** is intended for use as installed by the dealer, in accordance to the installation instructions in this manual.

- Ensure the foreseen conditions of use are communicated by the dealer or service technician to the user and/or attendant during the first-time use.
- If usage conditions change significantly, please contact your dealer or a qualified service technician to avoid unintended damage.

Cleaning

12.1

- Use a soft cloth to clean the hardware.
- Ensure all cleaners are approved for finished steel, aluminum, plastic, and upholstered surfaces.
- Hand wash foam pad cover with mild, soapy water or detergent, and let dry.
- Foam pad should not get wet.
- To remove dirt and debris from the zipper teeth, use a soft brush with mild soap and water.

To wash the covers of the thigh guide:

- Remove the cover from the thigh guide by removing the pad from the hardware and unbolting the M5 x 0.8 x 10mm socket head screws with a 4mm hex key on the pad's track.
 - When reattaching the track to the pad, tighten to 12nM of torque.
- Machine wash in cold water on delicate cycle and drip dry.

CAUTION

Exercise caution when removing the thigh guide so as to not puncture, tear, or otherwise damage the fabric or foam.

CAUTION

Exercise caution when zipping and unzipping the cover so as to not catch hair, wires, or anything else which could be caught in the path.


WARNING

Do not bleach.
Do not iron.
Do not hand wash in water temperatures above 160°F (70°C).
Do not wash or machine dry.

Disinfecting

12.2

- Wipe gently with a cloth dampened with a household disinfectant.
- Allow foam to air dry thoroughly.


 **WARNING** Do not immerse foam in water.

Maintenance

12.3

These care and guideline instructions will keep the hardware and covers in good condition for a longer period of time and prevent damage:

- Check and re-tighten all fasteners to the proper torque specifications on a regular basis. Reference the owner's manual to find proper torque specs.
- Check pads and covers for any breakdown.
- Repair or replace parts as needed.
- Gently remove dust and dirt from hardware with a damp cloth.

 **WARNING** Monitor the foam for breakdown and replace as needed. Do not use the thigh guide if foam is damaged or deteriorated.

CAUTION

Always check all mounting hardware, making sure each fastener is properly tightened before using the support.

SAFETY Replace or repair parts as needed.



Distributed by: Pride Mobility Products Co.
5096 South Service Rd. Beamsville, Ontario L0R 1B3
[https://www.pridemobility.ca/
stealthproducts.com1](https://www.pridemobility.ca/stealthproducts.com1)